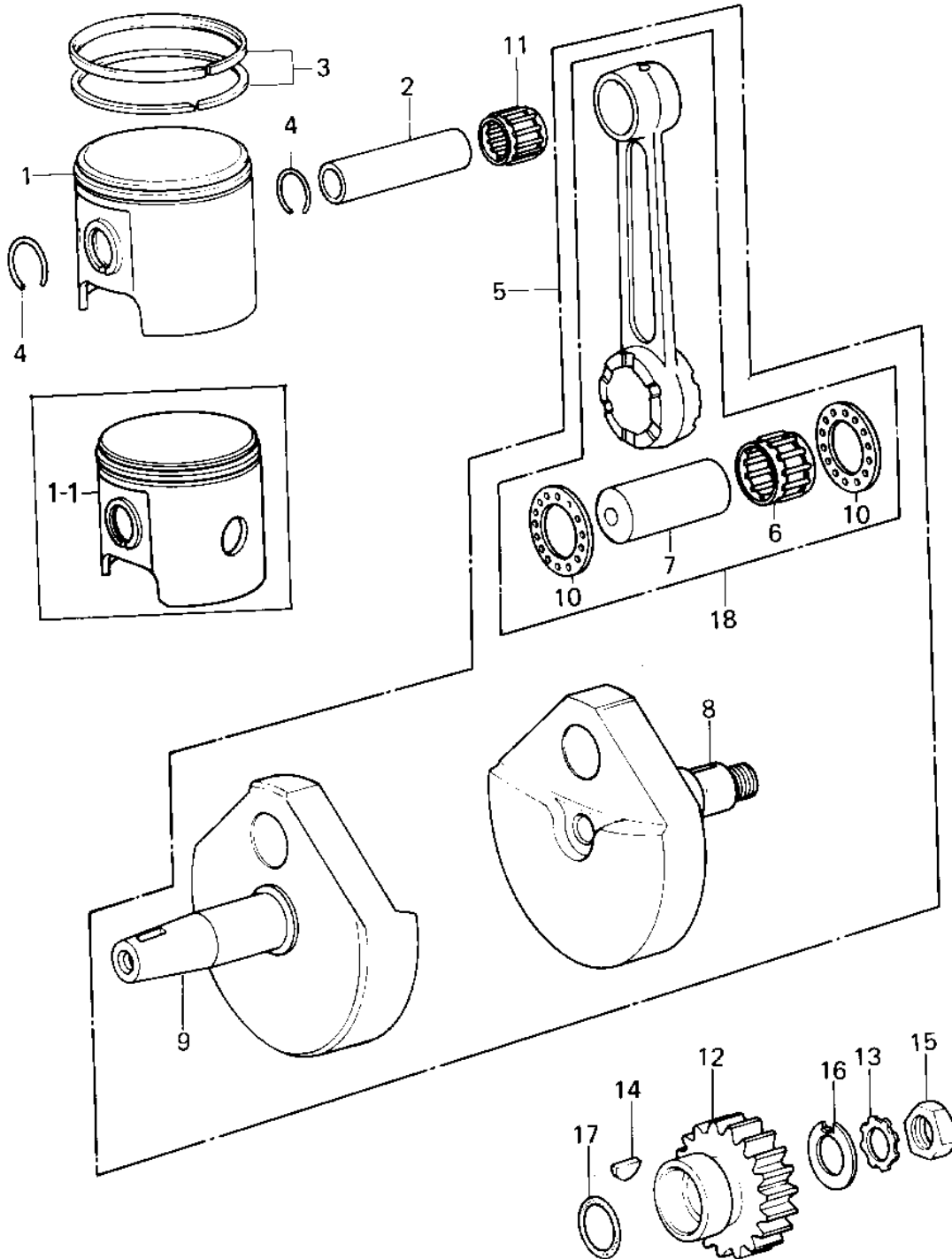


1979 KDX™400 PARTS DIAGRAM

CRANKSHAFT/PISTON



1979 KDX™400 PARTS LIST

CRANKSHAFT/PISTON

ITEM NAME	PART NUMBER	QUANTITY
PISTON (Ref # 1)	13001-1038	1
PIN-PISTON (Ref # 2)	13002-031	1
RING SET,PISTON (Ref # 3)	13008-5017	1
CIRCLIP PISTON PIN (Ref # 4)	92036-008	1
CRANKSHAFT ASSY (Ref # 5)	13031-1023	1
BEARING N,KT263322EGS (Ref # 6)	13034-1012	1
PIN,CRANK,12X26X62 (Ref # 7)	13035-1003	1
CRANKSHAFT,R.H. (Ref # 8)	13037-1035	1
CRANKSHAFT,L.H. (Ref # 9)	13037-1037	1
WASHER,CONROD SIDE (Ref # 10)	92026-093	1
BEARING-SMALL END,KTV (Ref # 11)	13033-1055	1
GEAR,PRIMARY,26T (Ref # 12)	13097-1019	1
WASHER,LOCK,18M/M (Ref # 13)	464H1800	1
WOODRUFF KEY (Ref # 14)	510A5100	1
NUT 18MM (Ref # 15)	92015-019	1
WASHER LOCK 18MM (Ref # 16)	92024-015	1
"O" RING,30MM (Ref # 17)	92055-1047	1
CONNECTING ROD ASSY (Ref # 18)	13044-5011	1