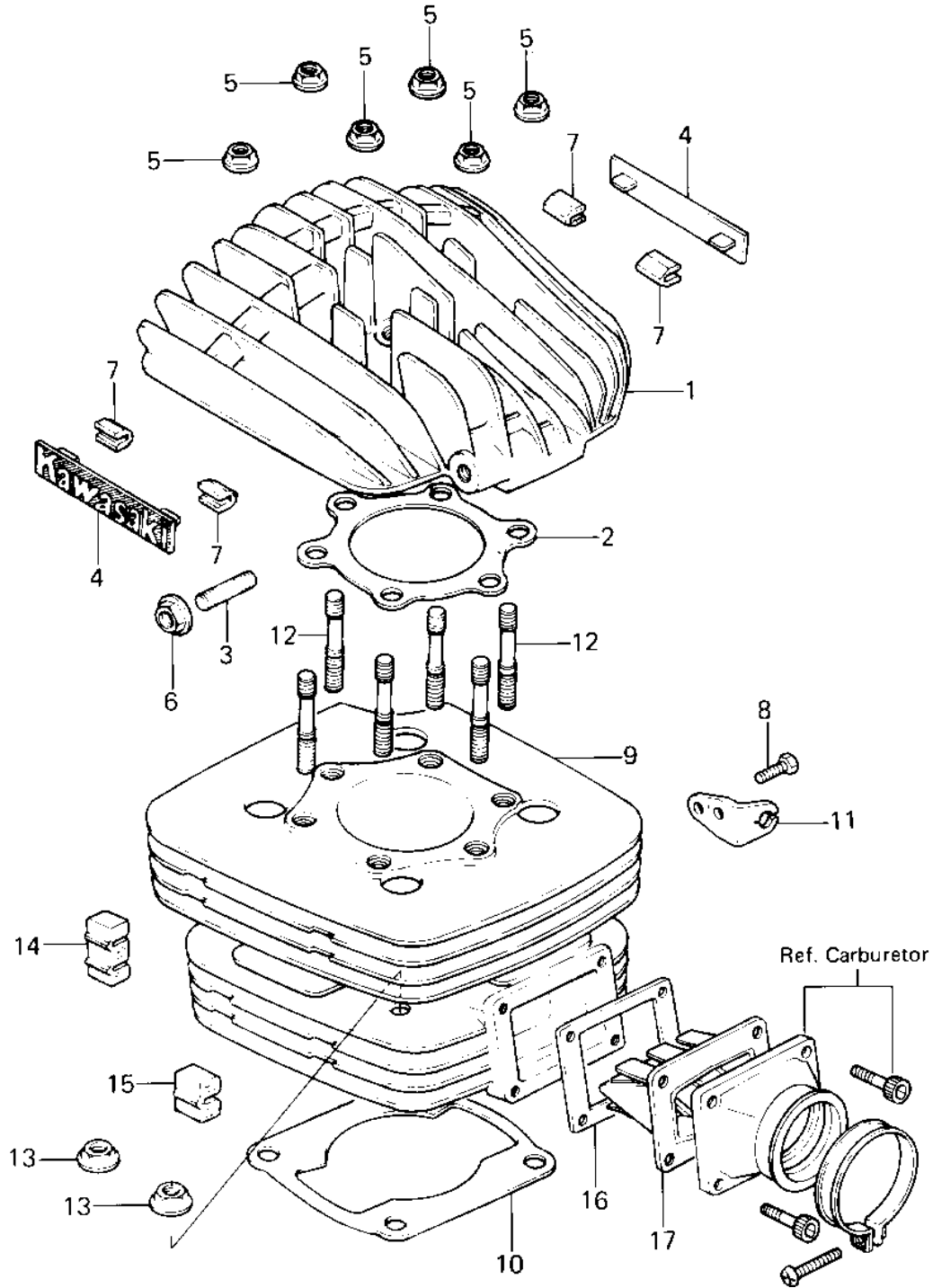


1979 KDX™400 PARTS DIAGRAM

CYLINDER HEAD/CYLINDER/REED VALVE



1979 KDX™400 PARTS LIST

CYLINDER HEAD/CYLINDER/REED VALVE

| ITEM NAME | PART NUMBER | QUANTITY |
|---------------------------------|-------------|----------|
| HEAD,CYLINDER,F.BLACK (Ref # 1) | 11001-1014 | 1 |
| GASKET,HEAD,CYLINDER (Ref # 2) | 11004-1015 | 1 |
| STUD,10X18 (Ref # 3) | 175G1018 | 1 |
| MARK,CYLINDER HEAD (Ref # 4) | 56018-1101 | 1 |
| NUT,8M/M (Ref # 5) | 92015-1014 | 1 |
| NUT,10MM (Ref # 6) | 92015-1415 | 2 |
| DAMPER,CYLINDER HEAD (Ref # 7) | 92075-1166 | 1 |
| BOLT-UPSET (Ref # 8) | 112G0618 | 1 |
| CYLINDER,ELECTRO-FUSE (Ref # 9) | 11005-1070 | 1 |
| GASKET,CYLINDER BASE (Ref # 10) | 11009-1130 | 1 |
| HOLDER (Ref # 11) | 13091-1119 | 1 |
| STUD,CYLINDER (Ref # 12) | 92004-1022 | 1 |
| DAMPER,CYLINDER (Ref # 14) | 92075-1160 | 1 |
| DAMPER,CYLINDER (Ref # 15) | 92075-1161 | 1 |
| GASKET,REED VALVE (Ref # 16) | 11009-1018 | 1 |
| VALVE ASSY,REED (Ref # 17) | 12021-1007 | 1 |