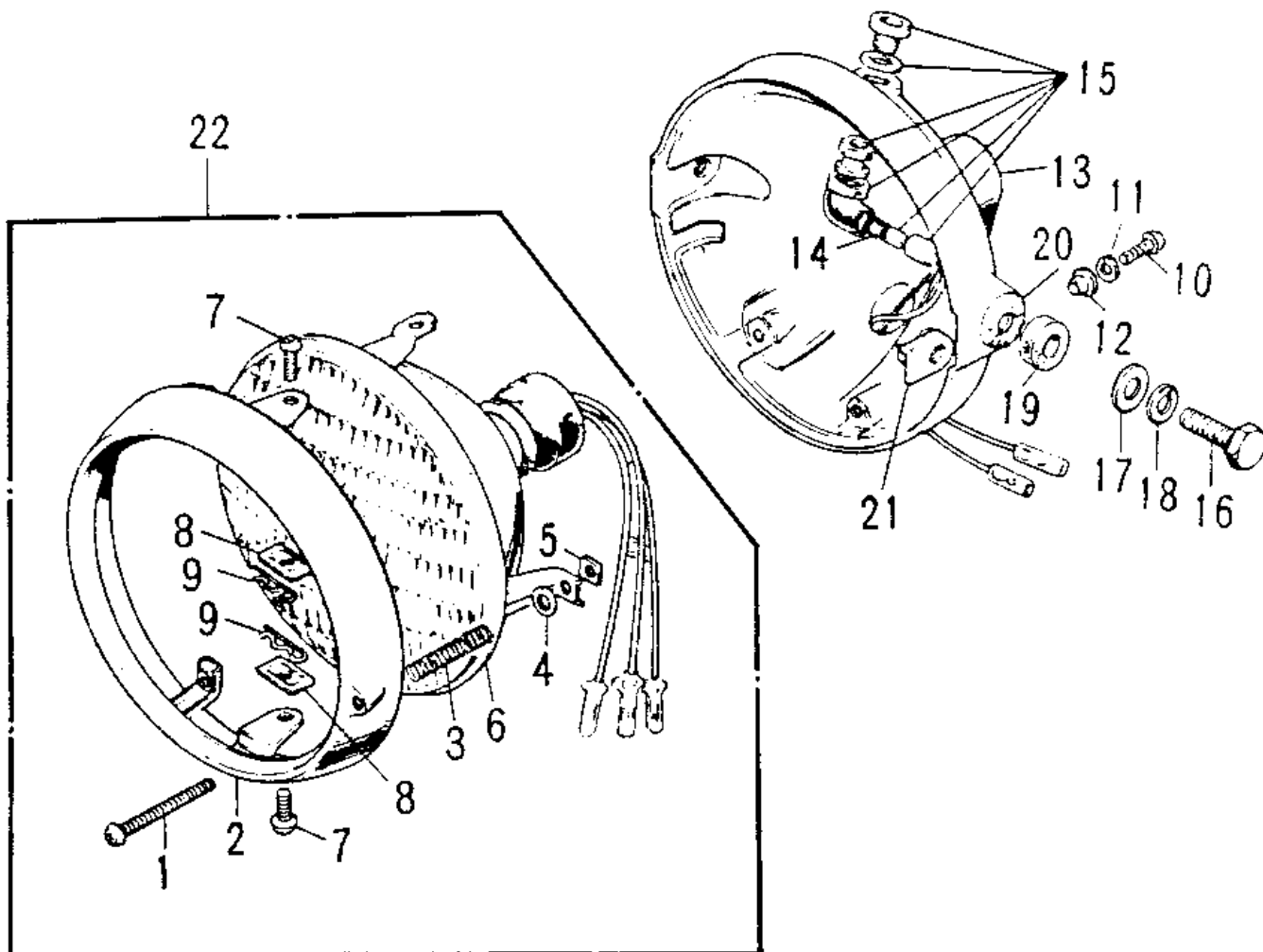


## 1972 S2 PARTS DIAGRAM

HEADLIGHT (S2)



(S2)

## 1972 S2 PARTS LIST

HEADLIGHT (S2)

ITEM NAME	PART NUMBER	QUANTITY
SCREW FORCUS ADJUST (Ref # 1)	23019-021	1
RIM-HEAD LAMP (Ref # 2)	23006-025	1
SPRING FOCUS ADJUST (Ref # 3)	23014-005	1
WASHER (Ref # 4)	23021-004	1
NUT (Ref # 5)	23020-016	1
SEALED BEAM UNIT (Ref # 6)	23007-030	1
SCREW LENS UNIT FITT (Ref # 7)	23019-018	1
NUT LENS UNIT FITTING (Ref # 8)	23020-009	1
PIN LENS UNIT FITTING (Ref # 9)	23022-001	1
SCREW-PAN HEAD,5MM (Ref # 10)	92011-024	1
WASHER SPRING 5MM (Ref # 11)	461F0500	1
WASHER (Ref # 12)	23021-010	1
BODY-HEAD LAMP,BLACK (Ref # 13)	23005-032-10	1
BULB 12V 1.5W (Ref # 14)	92069-017	1
LAMP ASSY-PILOT (Ref # 15)	23016-006	1
BOLT,10MM (Ref # 16)	92007-024	1
WASHER PLAIN 10MM (Ref # 17)	411B1000	1
WASHER SPRING 10MM (Ref # 18)	461F1000	1
DAMPER RUBBER (Ref # 19)	92075-079	1
WASHER-LOCK (Ref # 20)	23021-011	1
NUT (Ref # 21)	23020-017	1
LAMP UNIT-HEAD (Ref # 22)	23003-014	1