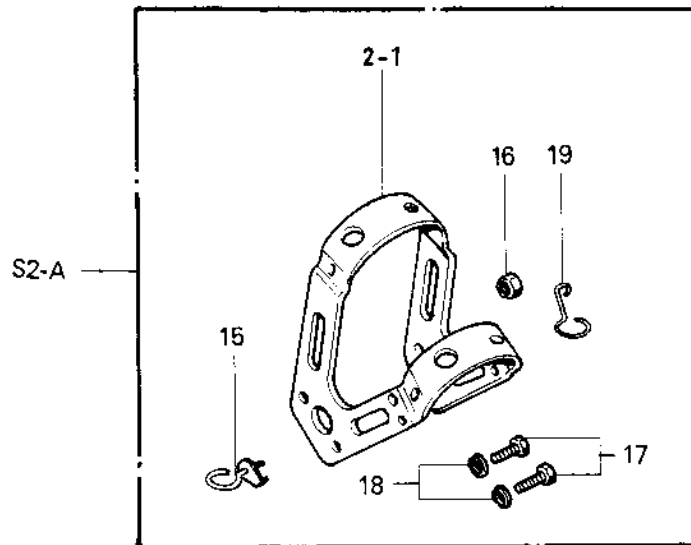
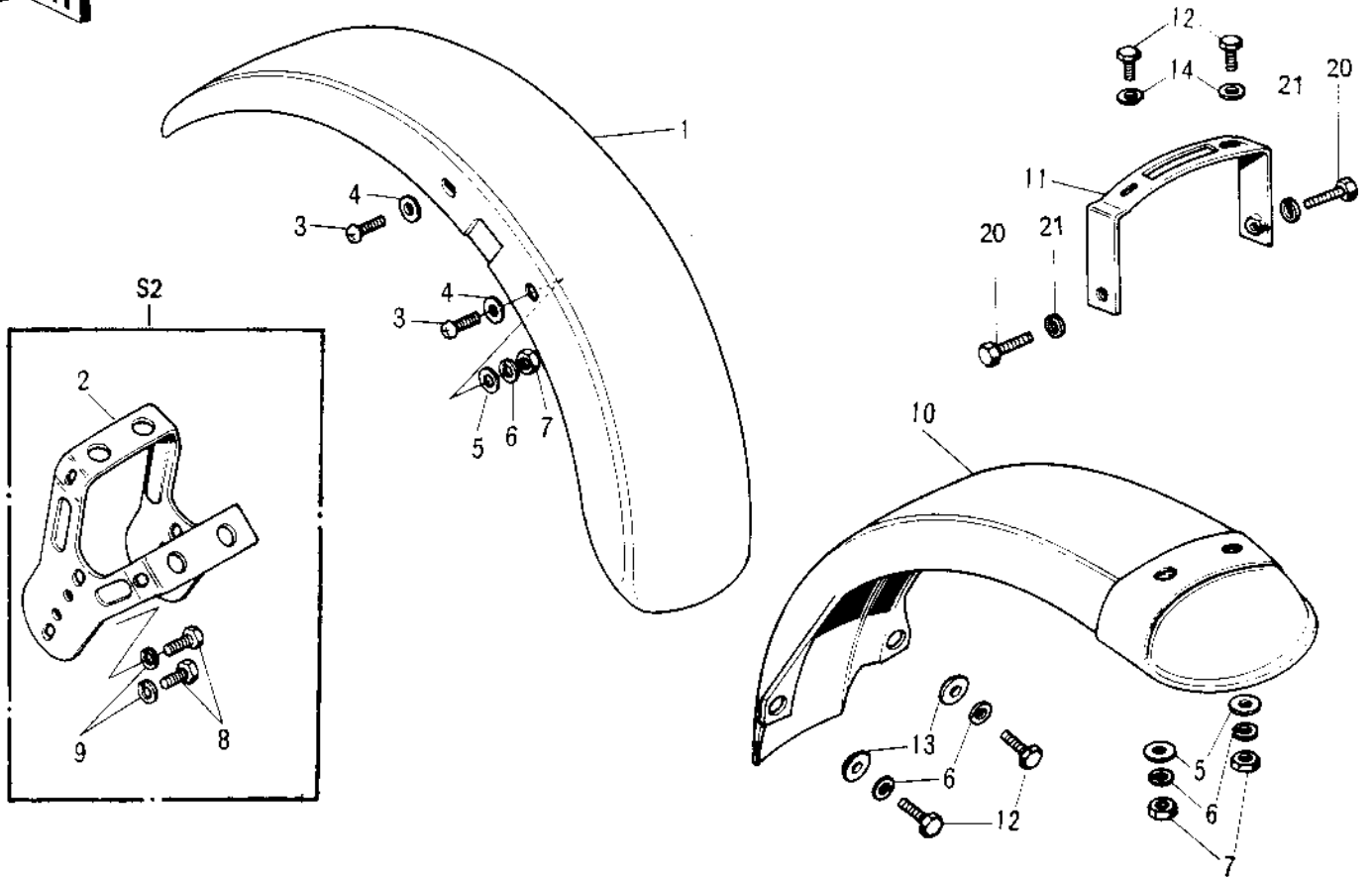


1972 S2 PARTS DIAGRAM

FENDERS



1972 S2 PARTS LIST

FENDERS

ITEM NAME	PART NUMBER	QUANTITY
FENDER-FR,P.C.RED (Ref # 1)	35004-075-68	1
FENDER-FR (Ref # 1)	35004-075	1
BRACE-FRONT FENDER (Ref # 2)	35009-019	1
BRACE-FRONT FENDER (Ref # 2-1)	35009-024	1
SCREW PAN HEAD 6X14 (Ref # 3)	220E0614	1
WASHER-PLAIN (Ref # 4)	92022-193	1
WASHER PLAIN 6MM (Ref # 5)	411B0600	1
WASHER SPRING 6MM (Ref # 6)	461F0600	1
NUT 6MM (Ref # 7)	311B0600	1
BOLT SMALL (Ref # 8)	114G0812	1
WASHER SPRING 8MM (Ref # 9)	461F0800	2
FENDER-RR (Ref # 10)	35022-056	1
BRACKET-REAR FENDER (Ref # 11)	35025-021	1
BOLT-UPSET,6X16 (Ref # 12)	112G0616	1
COLLAR (Ref # 13)	92027-122	1
WASHER 6.5X20X1.6T (Ref # 14)	92022-125	1
CLAMP (Ref # 15)	92037-097	1
NUT-LOCK,5MM (Ref # 16)	92019-014	1
BOLT-SMALL-UPSET,8X16 (Ref # 17)	115G0816	1
CLAMP-CABLE (Ref # 19)	92037-096	1
BOLT,HEX HEAD,10X25 (Ref # 20)	113N1025	1
WASHER SPRING 10MM (Ref # 21)	461F1000	1