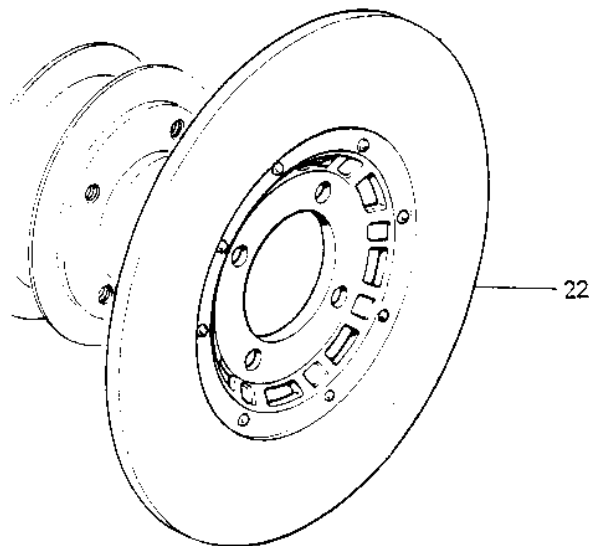
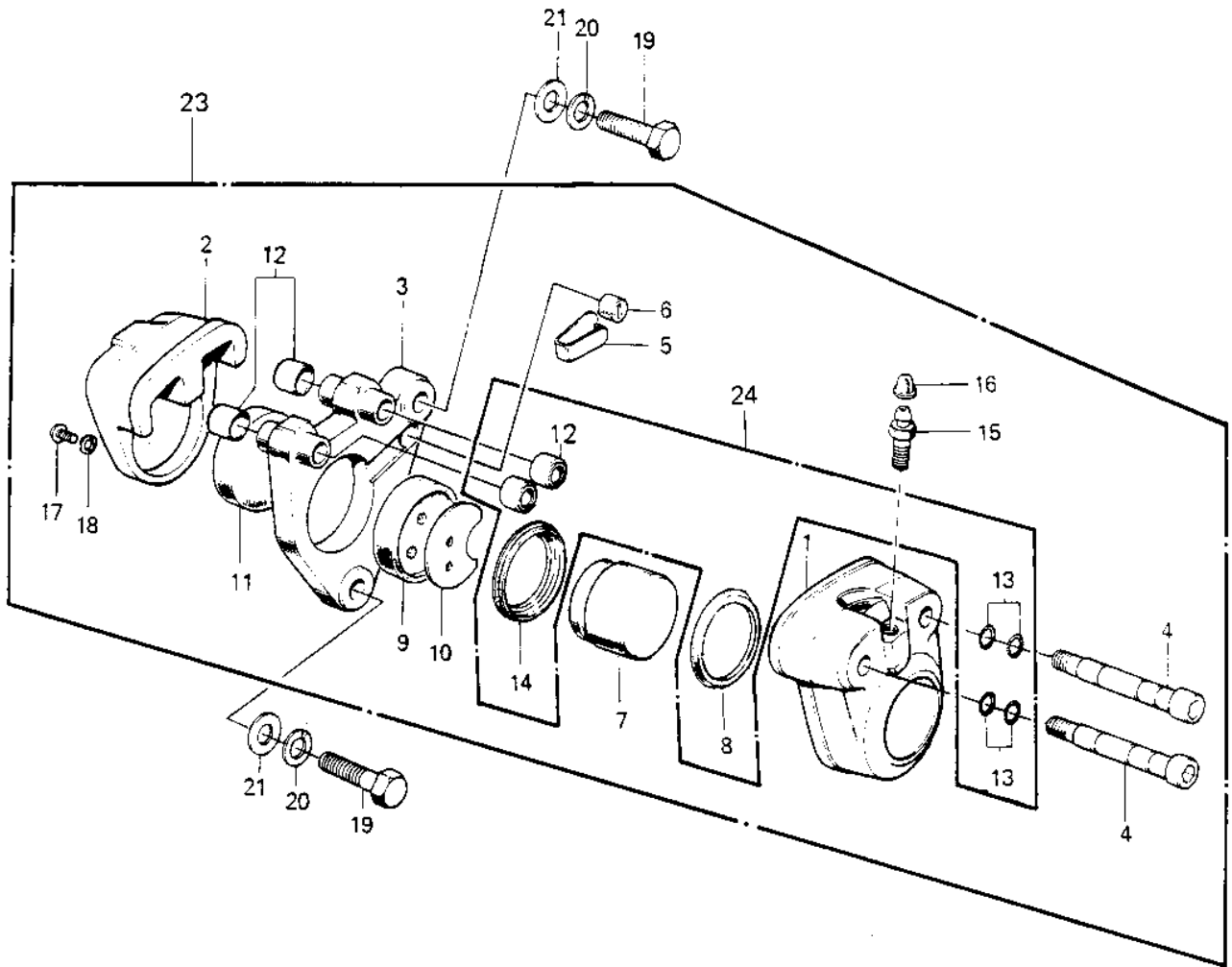


1972 S2 PARTS DIAGRAM

FRONT BRAKE (S2-A)



(S2-A)



1972 S2 PARTS LIST

FRONT BRAKE (S2-A)

ITEM NAME	PART NUMBER	QUANTITY
CALIPER A (Ref # 1)	43042-003	1
CALIPER B (Ref # 2)	43043-002	1
HOLDER-CALIPER (Ref # 3)	43044-003	1
SHAFT (Ref # 4)	43045-002	1
STOPPER-PAD A (Ref # 5)	43046-001	1
BUSHING-RUBBER (Ref # 6)	43047-001	1
PISTON-CALIPER (Ref # 7)	43048-001	1
RING-PISTON (Ref # 8)	43049-001	1
PAD A (Ref # 9)	43082-001	2
SHIM (Ref # 10)	43076-001	1
PAD B (Ref # 11)	43051-001	1
DUST SEAL-SHAFT (Ref # 12)	43052-002	1
"O" RING,SHAFT (Ref # 13)	43053-001	1
DUST SEAL-PISTON (Ref # 14)	43054-002	1
BLEEDER (Ref # 15)	43056-002	1
BLEEDER SET (Ref # 16)	43085-001	1
SCREW,8X12 (Ref # 17)	220B0812	1
WASHER SPRING 6MM (Ref # 18)	461F0600	1
BOLT (Ref # 19)	92007-032	1
WASHER SPRING 10MM (Ref # 20)	461F1000	1
WASHER PLAIN 10MM (Ref # 21)	410B1000	1
DISC PLATE,FRONT BRAK (Ref # 22)	41080-006	1
CALIPER ASSY (Ref # 23)	43041-003	1
REPAIR SET,CALLIPER (Ref # 24)	43073-003	1