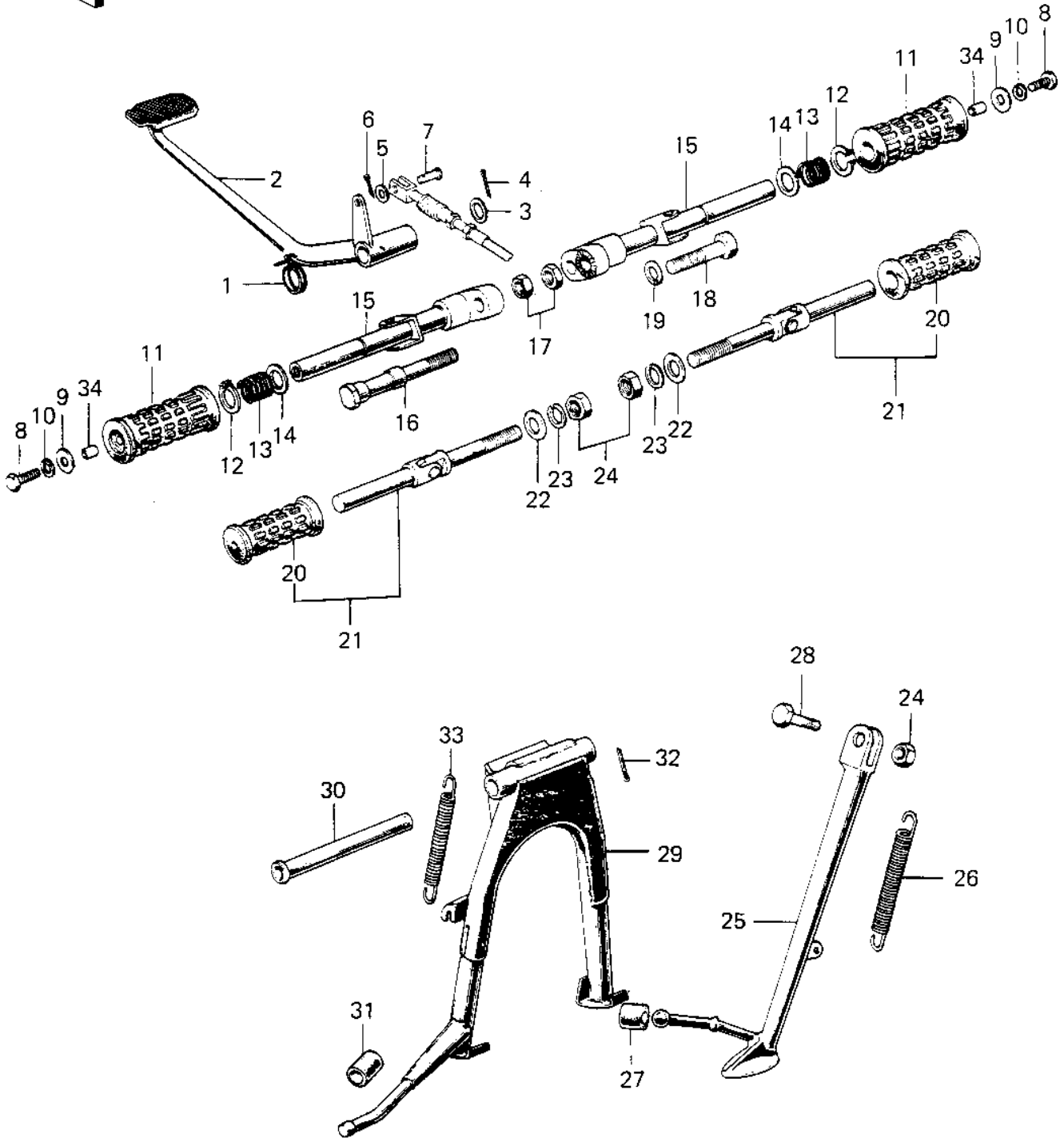


1972 S2 PARTS DIAGRAM

FOOTRESTS/STANDS/BRAKE PEDAL (S2)



(S2)

1972 S2 PARTS LIST

FOOTRESTS/STANDS/BRAKE PEDAL (S2)

| ITEM NAME | PART NUMBER | QUANTITY |
|----------------------------------|-------------|----------|
| SPRING,BRAKE PEDAL (Ref # 1) | 43005-033 | 2 |
| PEDAL-BRAKE (Ref # 2) | 43001-038 | 1 |
| PEDAL,BRAKE (Ref # 2) | 43001-060 | 1 |
| WASHER BRAKE PEDAL (Ref # 3) | 92022-085 | 1 |
| PIN COTTER 3.0X20 (Ref # 4) | 550D3020 | 1 |
| WASHER PLAIN 6MM (Ref # 5) | 410B0600 | 1 |
| PIN COTTER 2.0X15 (Ref # 6) | 550D2015 | 1 |
| PIN R BRK CABLE JOINT (Ref # 7) | 92043-034 | 1 |
| BOLT-UPSET (Ref # 8) | 112G0618 | 1 |
| WASHER 6.5X20X1.6T (Ref # 9) | 92022-125 | 1 |
| WASHER SPRING 6MM (Ref # 10) | 461F0600 | 1 |
| RUBBER-FOOTREST (Ref # 11) | 92076-019 | 1 |
| CIRCLIP 16MM (Ref # 12) | 480J1600 | 1 |
| SPRING FOOTREST PEG (Ref # 13) | 34006-002 | 1 |
| WASHER FOLDING PEG (Ref # 14) | 92022-049 | 1 |
| BAR-FOOTREST (Ref # 15) | 34003-028 | 1 |
| BOLT-L.H FOOTREST FIT (Ref # 16) | 92003-076 | 1 |
| NUT-HEX-FINE,12MM (Ref # 17) | 315B1200 | 1 |
| BOLT,R.H.FOOTREST FIT (Ref # 18) | 92001-1068 | 1 |
| WASHER SPRING 12MM (Ref # 19) | 461F1200 | 1 |
| RUBBER REAR FOOTREST (Ref # 20) | 92076-008 | 1 |
| BAR SET-REAR FOOTREST (Ref # 21) | 34030-001 | 1 |
| WASHER PLAIN 10MM (Ref # 22) | 410B1000 | 1 |
| WASHER SPRING 10MM (Ref # 23) | 461F1000 | 1 |
| NUT,10MM (Ref # 24) | 314B1000 | 1 |
| STAND-SIDE (Ref # 25) | 34024-051 | 2 |
| SPRING MAIN STAND (Ref # 26) | 34023-005 | 1 |
| DAMPER RUBB SIDE STND (Ref # 27) | 92075-031 | 1 |
| STAND-MAIN (Ref # 29) | 34011-028 | 1 |

1972 S2 PARTS LIST

FOOTRESTS/STANDS/BRAKE PEDAL (S2)

| ITEM NAME | PART NUMBER | QUANTITY |
|----------------------------------|-------------|----------|
| SHAFT MAIN STAND (Ref # 30) | 34019-011 | 1 |
| DAMPER RUBB-MAIN STND (Ref # 31) | 92075-115 | 1 |
| COTTER PIN,3.0X25 (Ref # 32) | 550D3025 | 1 |
| SPRING-MAIN STAND (Ref # 33) | 34023-010 | 1 |
| COLLAR (Ref # 34) | 92027-103 | 1 |