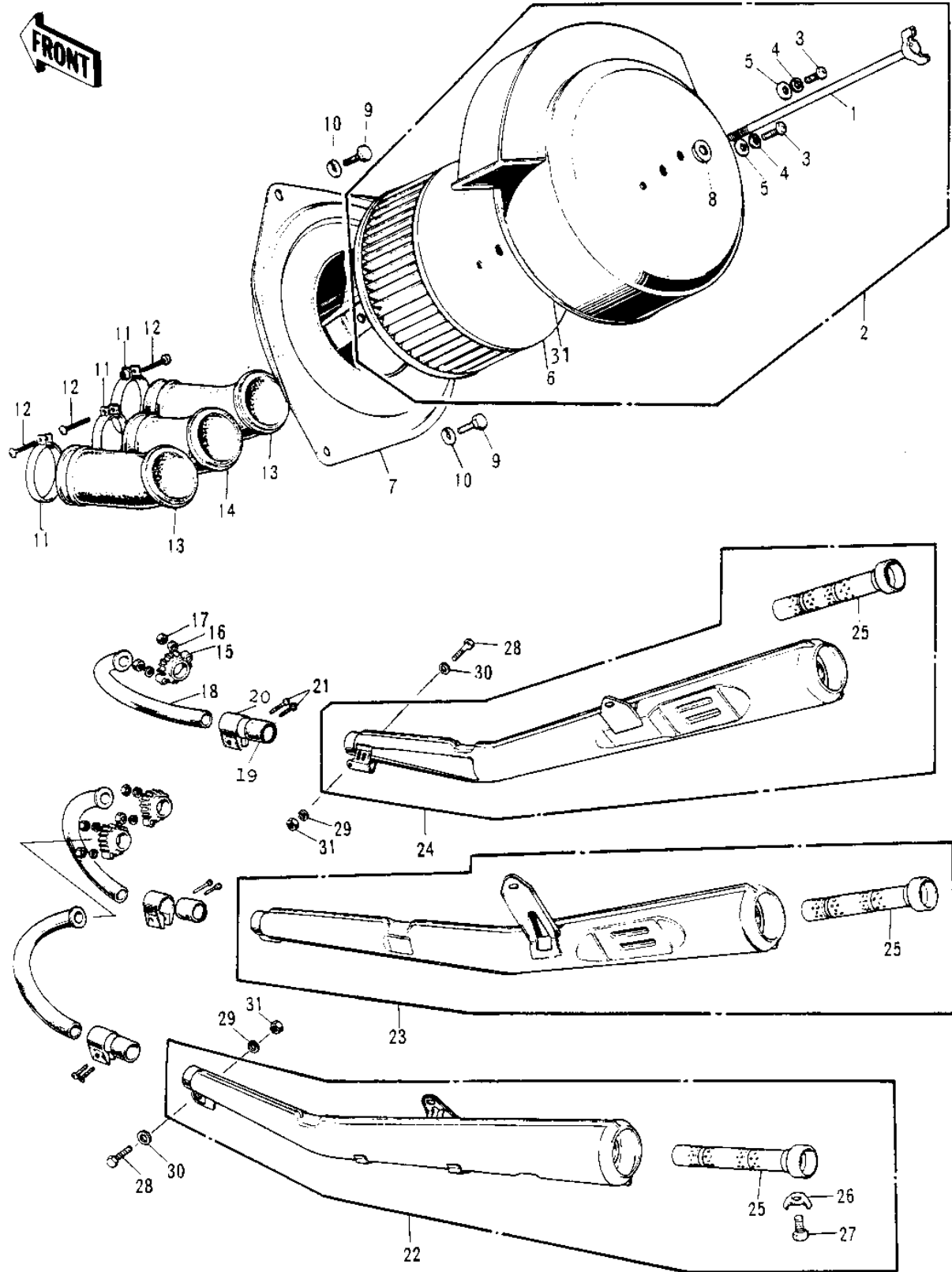


## 1972 S2 PARTS DIAGRAM

AIR CLEANER/MUFFLERS



## 1972 S2 PARTS LIST

### AIR CLEANER/MUFFLERS

ITEM NAME	PART NUMBER	QUANTITY
BOLT-AIR CLEANER FIT (Ref # 1)	92003-073	1
AIR CLEANER ASSY (Ref # 2)	11010-039	1
AIR CLEANER ASY,BLACK (Ref # 2)	11010-039-21	1
SCREW PAN HEAD 4X8 (Ref # 3)	220B0408	1
WASHER SPRING 4MM (Ref # 4)	461F0400	1
WASHER PLAIN 4MM (Ref # 5)	410B0400	1
ELEMENT,AIR,CLNR (Ref # 6)	11013-026	1
BODY-AIR CLEANER (Ref # 7)	11011-013	1
WASHER-PLAIN (Ref # 8)	92022-021	1
BOLT,6X10 (Ref # 9)	112G0610	1
WASHER SPRING 6MM (Ref # 10)	461F0600	1
CLAMP AIR CLEANER (Ref # 11)	92037-034	1
SCREW PAN HEAD 6X35 (Ref # 12)	220B0635	1
PIPE-AIR INLT,R.H&L.H (Ref # 13)	11015-024	1
PIPE-AIR INLET,CENTER (Ref # 14)	11015-025	1
HOLDER-EXHAUST PIPE (Ref # 15)	18069-038	1
WASHER SPRING 8MM (Ref # 16)	461F0800	2
NUT,8MM (Ref # 17)	311B0800	1
PIPE-EXHAUST (Ref # 18)	18049-074	1
CONNECTOR MUFFLER (Ref # 19)	18043-008	1
HOLDER-MFLR CONECT,CR (Ref # 20)	18044-004-79	1
SCREW PAN HEAD 6X28 (Ref # 21)	220B0628	1
MUFFLER ASSY-L.H (Ref # 22)	18001-036	1
MUFFLER ASSY-CENTER (Ref # 23)	18001-037	1
MUFFLER ASSY,R.H (Ref # 24)	18001-038	1
BAFFLE TUBE (Ref # 25)	18033-048	1
WASHER LOCK 6MM (Ref # 26)	92024-016	1
BOLT-UPSET,6X12 (Ref # 27)	112G0612	1
BOLT,8X20 (Ref # 28)	115G0820	1

## 1972 S2 PARTS LIST

AIR CLEANER/MUFFLERS

ITEM NAME	PART NUMBER	QUANTITY
WASHER PLAIN 8MM (Ref # 30)	411B0800	1
RUBBER SEAL,CLENR CAP (Ref # 31)	11024-001	1