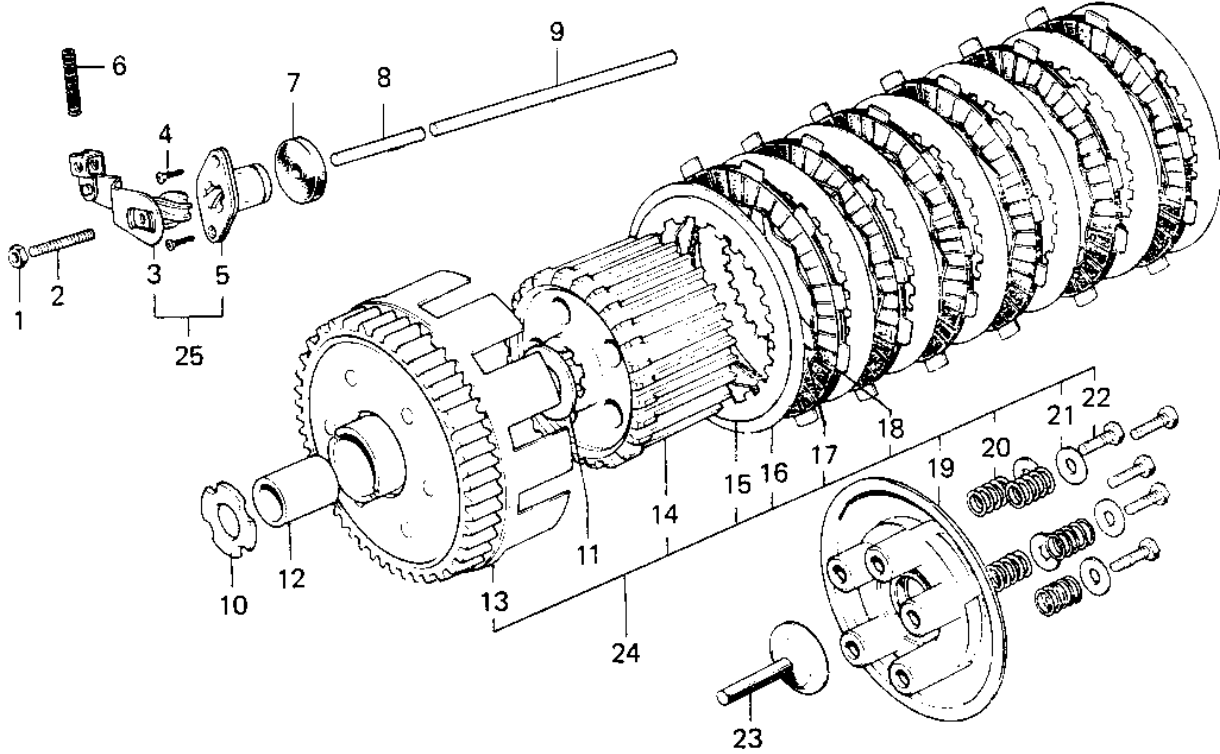
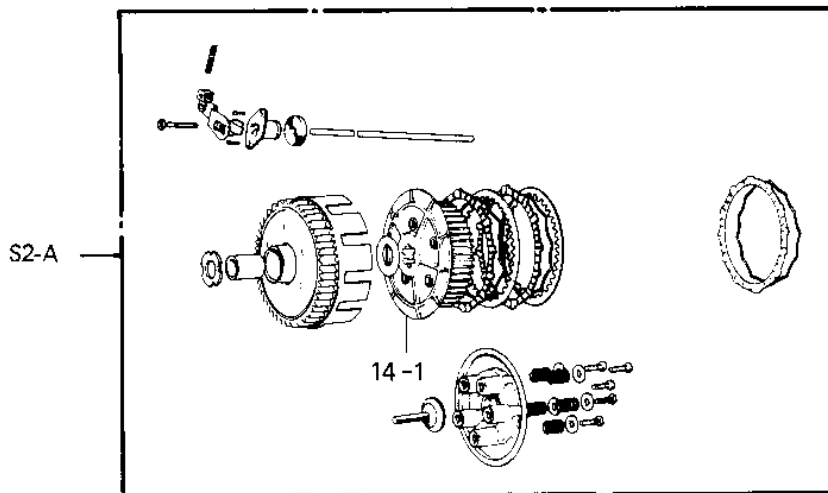


## 1972 S2 PARTS DIAGRAM

CLUTCH



Ref.



1  
1  
1  
1  
1  
1  
1  
1  
1  
1  
1  
1  
2  
2  
2  
2  
2

## 1972 S2 PARTS LIST

### CLUTCH

ITEM NAME	PART NUMBER	QUANTITY
NUT 6MM (Ref # 1)	311B0600	1
SCREW SLOTTED (Ref # 2)	291Z0622	1
INNER,CLUTCH RELEASE (Ref # 3)	13102-017	1
SCREW CNTSNK HD 6X16 (Ref # 4)	221B0616	1
OUTER,CLUTCH RELEASE (Ref # 5)	13118-008	1
SPRING-CLUTCH RELEASE (Ref # 6)	92081-096	1
OIL SEAL F BRK PANEL (Ref # 7)	92050-010	1
ROD CLUTCH PUSH SHORT (Ref # 8)	13116-010	1
ROD-CLUTCH PUSH, LONG (Ref # 9)	13116-019	1
WASHER THRUST (Ref # 10)	92022-119	1
WASHER-PLAIN,20MM (Ref # 11)	92022-189	1
BUSH CLUTCH (Ref # 12)	92028-045	1
HOUSING-CLUTCH (Ref # 13)	13095-032	1
HUB,CLUTCH (Ref # 14)	13087-033	2
PLATE CLUTCH OUTER (Ref # 15)	13090-002	1
PLATE CLUTCH STEEL (Ref # 16)	13089-003	1
PLATE-FRICTION (Ref # 17)	13088-1015	1
RING-CLUTCH STEEL (Ref # 18)	13229-002	1
PLATE-CLUTCH SPRING (Ref # 19)	13187-004	1
SPRING-CLUTCH (Ref # 20)	92081-095	1
WASHER-PLAIN,5MM (Ref # 21)	92022-167	1
BOLT,5X18 (Ref # 22)	92003-078	1
PUSHER-CLTCH SPRG PLT (Ref # 23)	13116-016	1
CLUTCH ASSY (Ref # 24)	13081-055	1
RELEASE ASSY,CLUTCH (Ref # 25)	13231-010	1