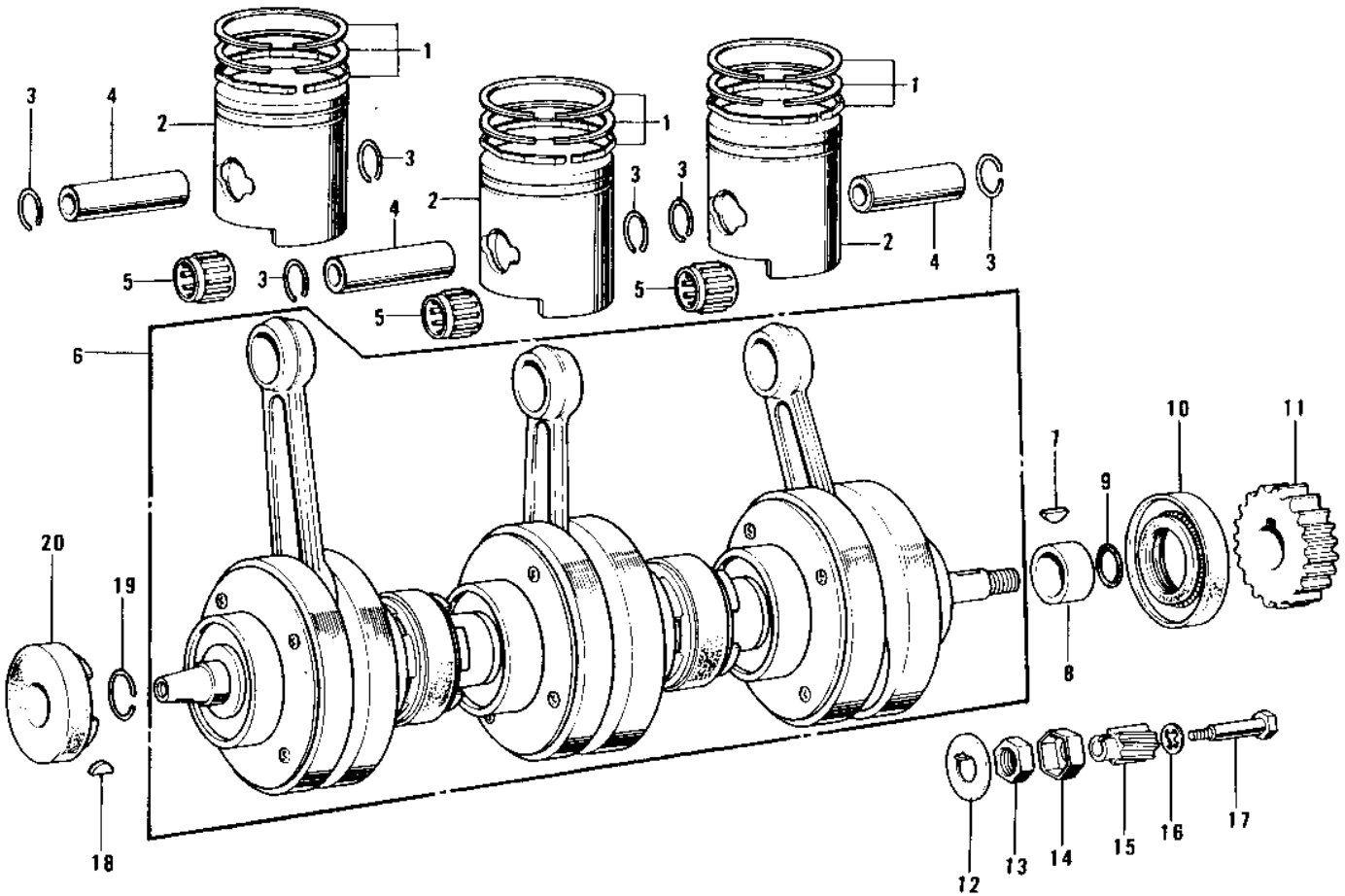


1972 S2 PARTS DIAGRAM

CRANKSHAFT/PISTONS

Ref.

FRONT



1972 S2 PARTS LIST

CRANKSHAFT/PISTONS

ITEM NAME	PART NUMBER	QUANTITY
RING SET,STD (Ref # 1)	13008-039	1
RING SET,0.020" O.S (Ref # 1)	13025-043	1
RING SET,0.040" O.S (Ref # 1)	13024-047	1
PISTON,STD (Ref # 2)	13001-043	1
PISTON,0.020' O.S (Ref # 2)	13029-052	1
PISTON,0.040' O.S (Ref # 2)	13027-050	1
CIRCLIP PISTON PIN (Ref # 3)	92036-005	1
PIN-PISTON (Ref # 4)	13002-002	1
NEEDLE BEARING SM END (Ref # 5)	13033-007	1
CRANK CONROD ASSY (Ref # 6)	13031-1008	2
WOODRUFF KEY (Ref # 7)	92038-015	1
COLLAR CRANK OIL SEAL (Ref # 8)	92027-031	1
"O" RING,22MM (Ref # 9)	92055-018	1
OIL SEAL,TC326210 (Ref # 10)	92050-052	1
PINION-PRIMARY (Ref # 11)	13121-021	1
WASHER,LOCK,18MM (Ref # 12)	92024-067	1
NUT 18MM (Ref # 13)	92015-019	1
WASHER LOCK (Ref # 14)	92024-021	1
PINION-OIL PUMP (Ref # 15)	16084-014	1
WASHER LOCK 6MM (Ref # 16)	463H0600	1
BOLT-OIL PUMP GEAR (Ref # 17)	92003-068	1
WOODRUFF KEY (Ref # 18)	92038-001	1
CIRCLIP (Ref # 19)	92036-013	1
OIL SEAL TCY256210 (Ref # 20)	92050-041	1