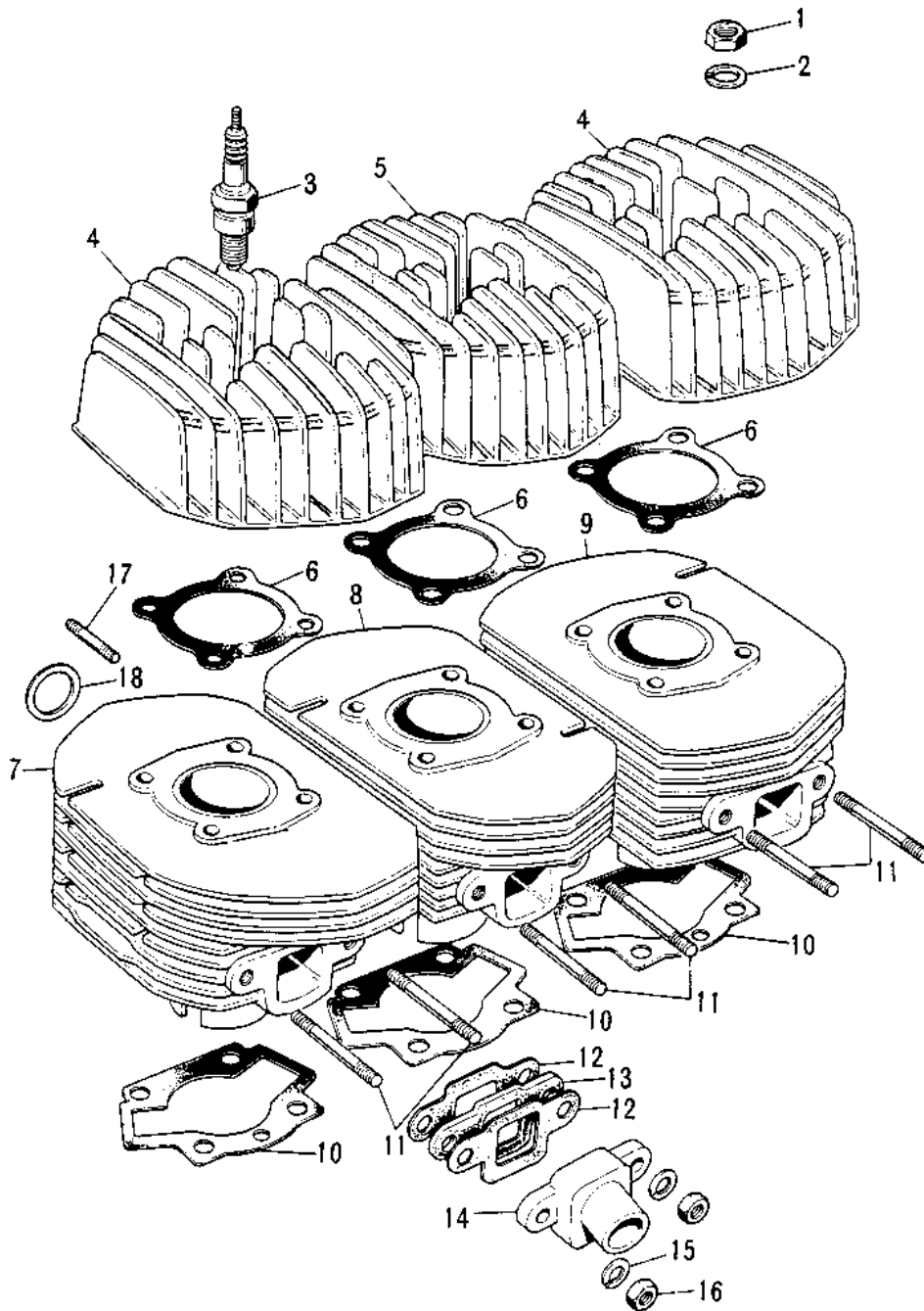


1972 S2 PARTS DIAGRAM

CYLINDER HEADS/CYLINDERS

Ref.



1972 S2 PARTS LIST

CYLINDER HEADS/CYLINDERS

ITEM NAME	PART NUMBER	QUANTITY
NUT,8MM (Ref # 1)	311B0800	2
WASHER SPRING 8MM (Ref # 2)	461F0800	2
UNAVAILABLE IN PRICE BOOK (Ref # 3)	92070-011A	1
CYLINDER HEAD,BUFF (Ref # 4)	11001-053-80	1
CYLINDER HEAD,CENTER (Ref # 5)	11001-054	1
GASKET-CYLINDER HEAD (Ref # 6)	11004-043	1
CYLINDER,L.H (Ref # 7)	11005-068	1
CYLINDER-CENTER (Ref # 8)	11005-069	1
CYLINDER,R.H (Ref # 9)	11005-070	1
GASKET-CYLINDER BASE (Ref # 10)	11009-027	1
STUD 8X20 (Ref # 11)	172G0820	1
GASKET-AIR INLET (Ref # 12)	16062-014	1
INSULATOR-HEAT (Ref # 13)	16061-012	1
INLET-AIR (Ref # 14)	16060-012	1
STUD,8X35 (Ref # 17)	92004-1009	1
GASKET,EXHAUST PIPE (Ref # 18)	11009-1992	2