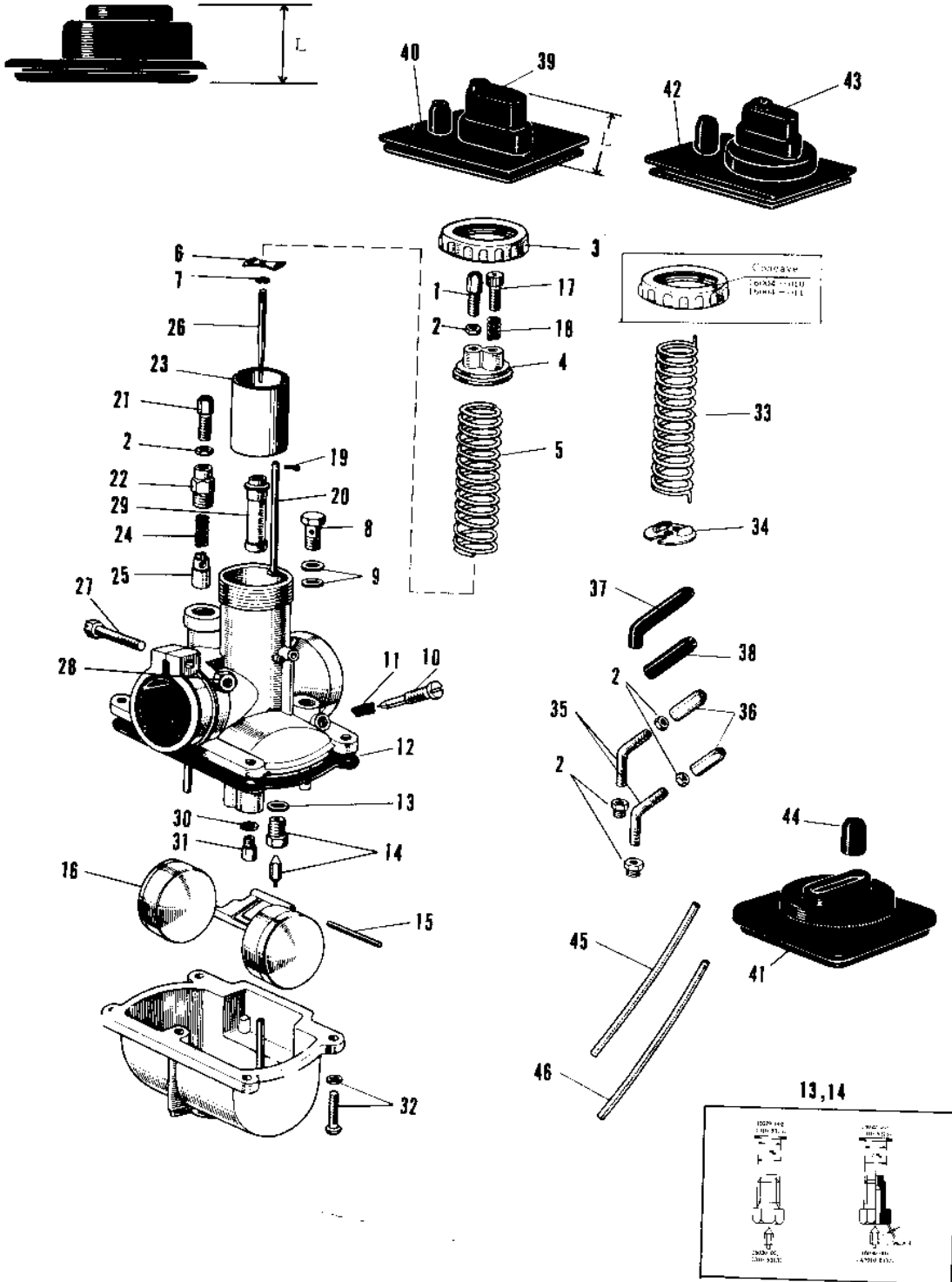


1967 A1 PARTS DIAGRAM

CARBURETOR VM22SC, VM26SC



1967 A1 PARTS LIST

CARBURETOR VM22SC, VM26SC

| ITEM NAME | PART NUMBER | QUANTITY |
|--------------------------------------|-------------|----------|
| CARBURETOR ASSY (Ref # 1~32) | 16001-038 | 1 |
| CABLE ADJUSTER (Ref # 1) | 16002-002 | 2 |
| NUT CABLE ADJUST LOCK (Ref # 2) | 16003-004 | 1 |
| CAP-MIXING CHAMBER (Ref # 3) | 16004-002 | 1 |
| CAP MIXING CHAMBER (Ref # 3) | 16004-010 | 1 |
| TOP MIXING CHAMBER (Ref # 4) | 16005-005 | 1 |
| SPRING THROTTLE VALVE (Ref # 5) | 16006-013 | 1 |
| SPRING SEAT THRTL VLV (Ref # 6) | 16007-002 | 1 |
| CIRCLIP (Ref # 7) | 16008-010 | 1 |
| BOLT BANJO (Ref # 8) | 92001-014 | 1 |
| UNAVAILABLE IN PRICE BOOK (Ref # 9) | 751P0880 | 1 |
| SCREW PILOT AIR ADJUST (Ref # 10) | 16014-003 | 1 |
| SPRING, THROTTLE ADJUST (Ref # 11) | 16022-010 | 1 |
| GASKET FLOAT CHAMBER (Ref # 12) | 16019-004 | 1 |
| WASHER VALVE SEAT (Ref # 13) | 16029-002 | 1 |
| FLOAT VALVE ASSY (Ref # 14) | 16030-001 | 1 |
| FLOAT PIN (Ref # 15) | 16032-003 | 1 |
| FLOAT (Ref # 16) | 16031-004 | 1 |
| SCREW, THROTTLE STOP (Ref # 17) | 16021-002 | 1 |
| SPRING THR STOP SCREW (Ref # 18) | 16022-005 | 1 |
| UNAVAILABLE IN PRICE BOOK (Ref # 19) | 16023-001 | 1 |
| ROD THROTTLE VLV STOP (Ref # 20) | 16024-002 | 1 |
| CAP STARTER PLUNGER (Ref # 22) | 16012-004 | 1 |
| VALVE THROTTLE (Ref # 23) | 16025-011 | 1 |
| SPRING STARTER PLUNG (Ref # 24) | 16013-005 | 1 |
| PLUNGER-ENRICHNER (Ref # 25) | 16016-002 | 1 |
| JET NEEDLE 4J13 (Ref # 26) | 16009-012 | 1 |
| SCREW CLAMP (Ref # 27) | 16010-004 | 1 |
| NUT 6MM (Ref # 28) | 311B0600 | 2 |

1967 A1 PARTS LIST

CARBURETOR VM22SC, VM26SC

| ITEM NAME | PART NUMBER | QUANTITY |
|---------------------------------|-------------|----------|
| NEEDLE JET 0-6 (Ref # 29) | 16017-026 | 1 |
| WASHER MAIN JET (Ref # 30) | 16034-001 | 1 |
| JET-MAIN NO 150A (Ref # 31) | 92063-016 | 1 |
| SCREW FLOAT CHAMBER (Ref # 32) | 16033-008 | 1 |
| SCREW FLOAT CHAMBER (Ref # 32) | 16033-009 | 1 |
| GROMMET CARB CAP (Ref # 39) | 14038-006 | 1 |
| CAP CARBURETOR (Ref # 40) | 14038-008 | 1 |
| PIPE FUEL OVERFLOW (Ref # 45) | 92059-031 | 1 |
| PIPE FUEL OVERFLOW R (Ref # 46) | 92059-027 | 1 |