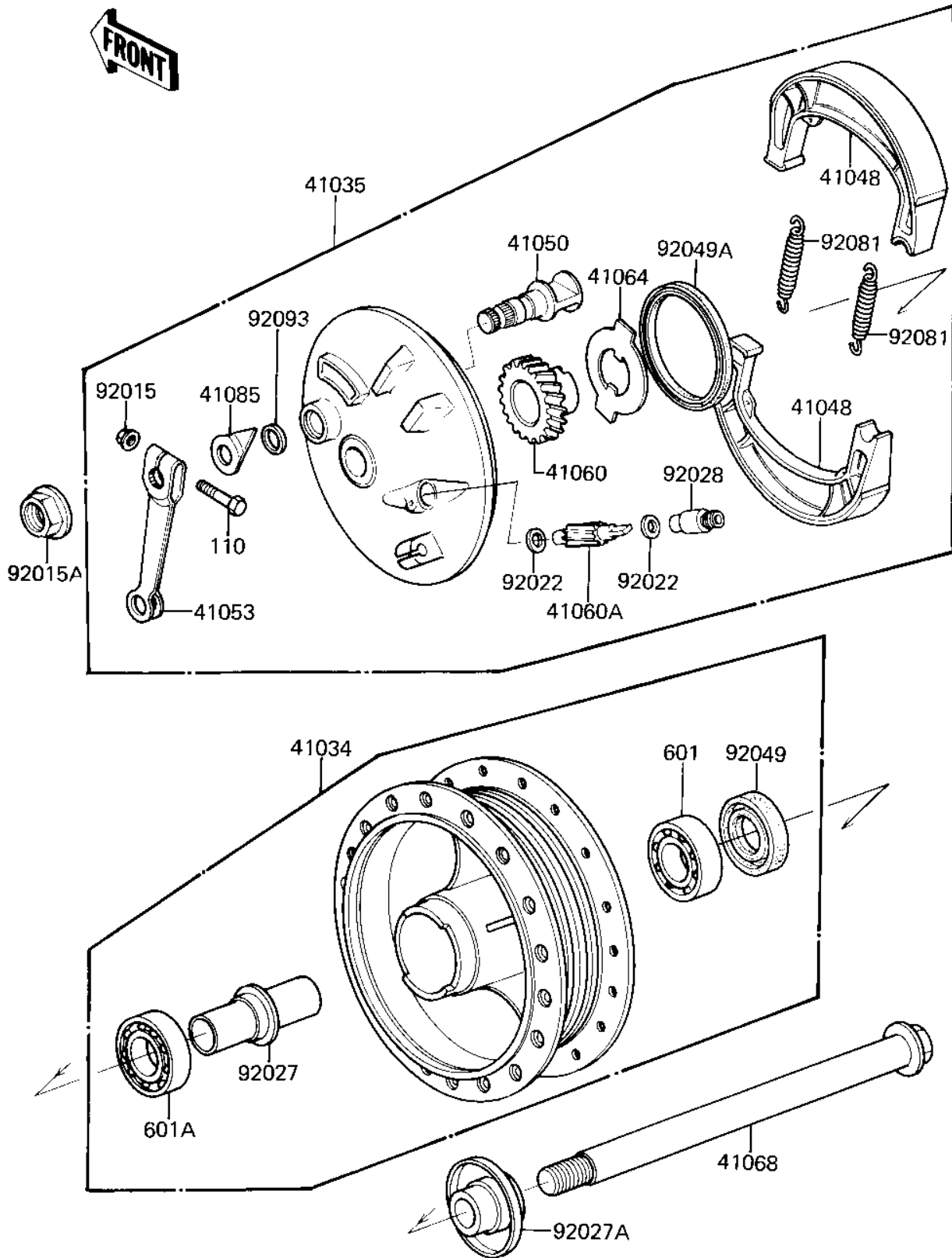


1981 KZ250 PARTS DIAGRAM

FRONT HUB/BRAKE ('81 D2)



1981 KZ250 PARTS LIST

FRONT HUB/BRAKE ('81 D2)

ITEM NAME	PART NUMBER	QUANTITY
DRUM-ASSY,FR BRK,BUFF (Ref # 41034)	41034-048-80	1
PANEL-ASY,FR BRK (Ref # 41035)	41035-1028	1
SHOE,BRAKE (Ref # 41048)	42019-011	1
CAM SHAFT,FR BRAKE (Ref # 41050)	41050-1015	1
LEVER,FR BRAKE CAM (Ref # 41053)	41053-1017	1
GEAR,SPEEDOMETER 29T (Ref # 41060)	41060-1027	1
PINION,SPEEDOMET,11T (Ref # 41060A)	41060-1028	1
RECIEVER GEAR (Ref # 41064)	41064-003	1
AXLE,FRONT (Ref # 41068)	41068-1029	1
INDICATOR,FR BRK PNL (Ref # 41085)	41085-005	1
NUT,6MM (Ref # 92015)	41072-007	1
NUT,14MM (Ref # 92015A)	92015-1407	1
WASHER THRST SPD PINI (Ref # 92022)	41063-001	1
SPACER FR HUB BEARING (Ref # 92027)	41039-004	1
COLLAR,FR AXLE (Ref # 92027A)	92027-1218	1
BUSHING,SPEEDOMET CBL (Ref # 92028)	92028-1066	1
OIL SEAL RR BRK DRUM (Ref # 92049)	92050-008	1
OIL SEAL F BRK PANEL (Ref # 92049A)	92050-010	1
SPRING-BRAKE SHOE (Ref # 92081)	42020-004	1
DUST SHIELD BRAKE CAM (Ref # 92093)	41051-001	1
BOLT-UPSET,6X35 (Ref # 110)	112G0635	1
BEARING BALL #6202 (Ref # 601)	601B6202	1
BEARING BALL #6202Z (Ref # 601A)	601B6202Z	1