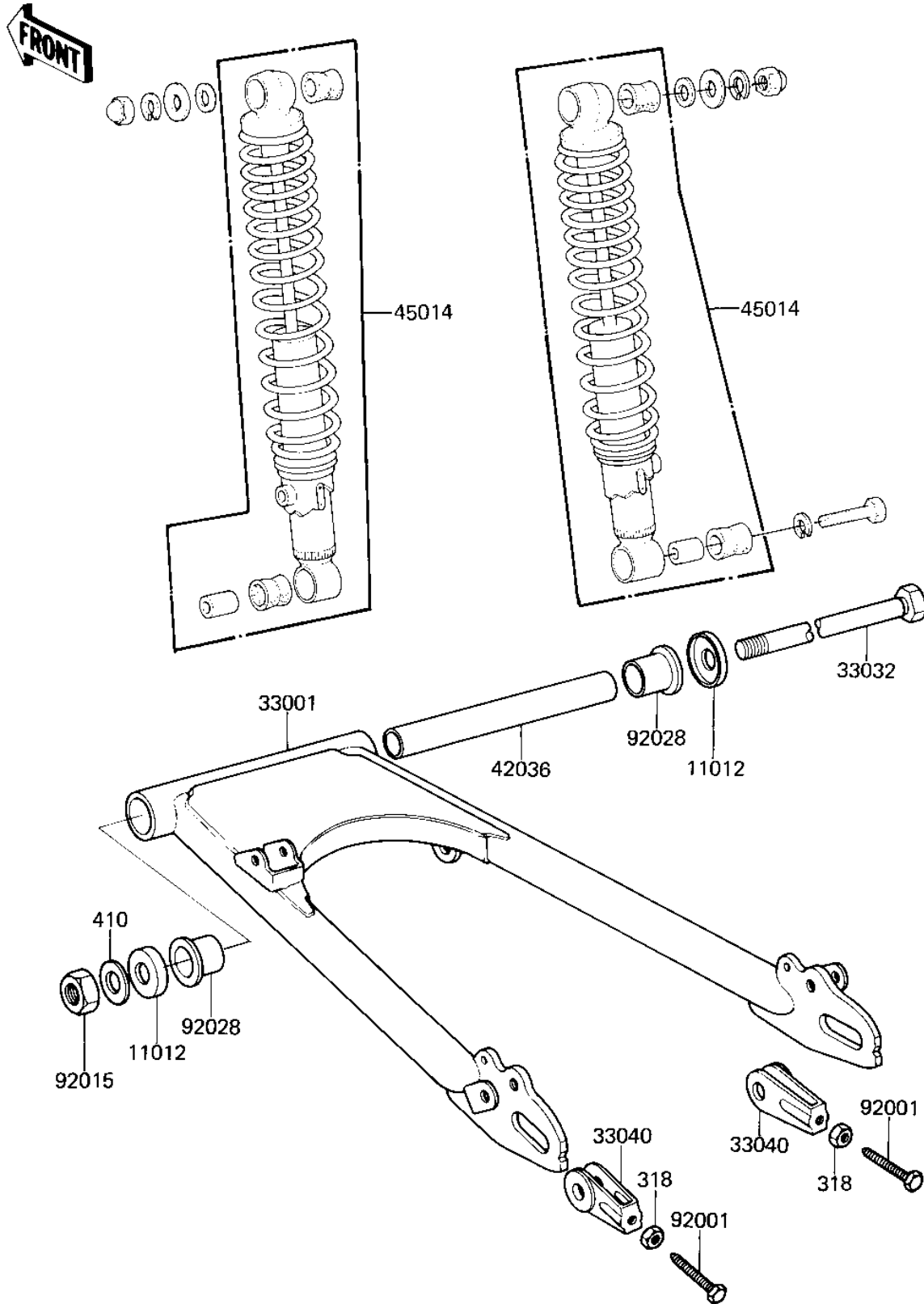


## 1981 KZ250 PARTS DIAGRAM

SWING ARM/SWING ARM SHOCK ABSORBERS ('81 D2)



## 1981 KZ250 PARTS LIST

SWING ARM/SHOCK ABSORBERS ('81 D2)

ITEM NAME	PART NUMBER	QUANTITY
CAP,SWING ARM (Ref # 11012)	33035-010	1
SWING ARM (Ref # 33001)	33001-1049	1
SHAFT-SWING ARM PIVOT (Ref # 33032)	33032-037	1
ADJUSTER,CHAIN (Ref # 33040)	33040-1001	1
SLEEVE,SWING ARM (Ref # 42036)	42036-1004	1
SHOCK ABSBR RR (Ref # 45014)	45014-1090	1
BOLT,8X50 (Ref # 92001)	92001-1399	1
NUT-LOCK,14MM (Ref # 92015)	92019-011	1
NUT SHOCK ABSORBER (Ref # 92015A)	92020-003	1
WASHER-PLN,10X22X3.2 (Ref # 92022)	92022-176	1
BUSHING,SHOCK ABSORB (Ref # 92027)	45016-008	1
BUSHING-SWING ARM (Ref # 92028)	33033-009	1
BUSHING, SHCK ABS RUB (Ref # 92075)	45017-012	1
BUSHING,SHCK ABS RUB (Ref # 92075A)	45017-015	1
BOLT HEX HEAD 10X35 (Ref # 113)	113N1035	1
NUT 8MM (Ref # 318)	318B0800	1
WASHER PLAIN 14MM (Ref # 410)	410B1400	1
WASHER PLAIN 10MM (Ref # 411)	411B1000	1
WASHER SPRING 10MM (Ref # 461)	461F1000	1