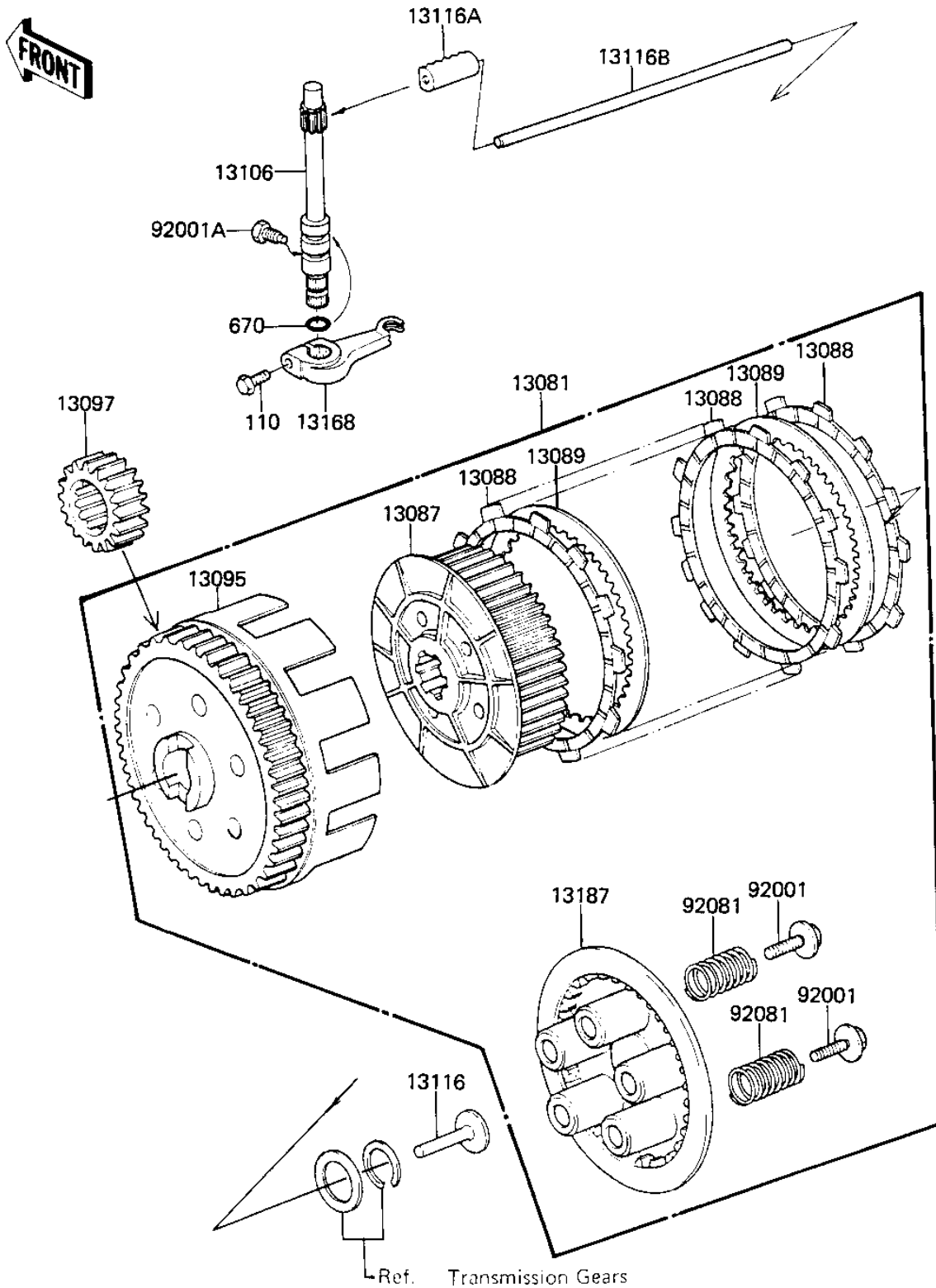


1981 KZ250 PARTS DIAGRAM

CLUTCH ('81 D2)

E1350-0004



1981 KZ250 PARTS LIST

CLUTCH ('81 D2)

ITEM NAME	PART NUMBER	QUANTITY
CLUTCH-ASSY (Ref # 13081)	13081-1046	1
HUB,CLUTCH (Ref # 13087)	13087-1001	1
PLATE,CLUTCH FRICTION (Ref # 13088)	13088-1008	1
PLATE CLUTCH STEEL (Ref # 13089)	13089-013	1
HOUSING,CLUTCH (Ref # 13095)	13095-1015	1
GEAR,PRIMARY (Ref # 13097)	13121-035	1
SHAFT,CLUTCH RELEASE (Ref # 13106)	13106-006	1
PUSHER-CLTCH SPRG PLT (Ref # 13116)	13116-016	1
ROD,CLUTCH PUSH (Ref # 13116A)	13116-1040	1
ROD,CLUTCH PUSH,LONG (Ref # 13116B)	13116-1002	1
LEVER,CLUTCH RELEASE (Ref # 13168)	13103-028	1
PLATE,CLUTCH OPERATNG (Ref # 13187)	13187-1005	1
BOLT,CLUTCH SPR FITT (Ref # 92001)	92001-1066	1
BOLT,CLUTCH RELEASE (Ref # 92001A)	92003-130	1
SPRING-CLUTCH (Ref # 92081)	92081-083	1
BOLT-UPSET (Ref # 110)	112G0618	1
"O" RING, 10MM (Ref # 670)	670B2010	1