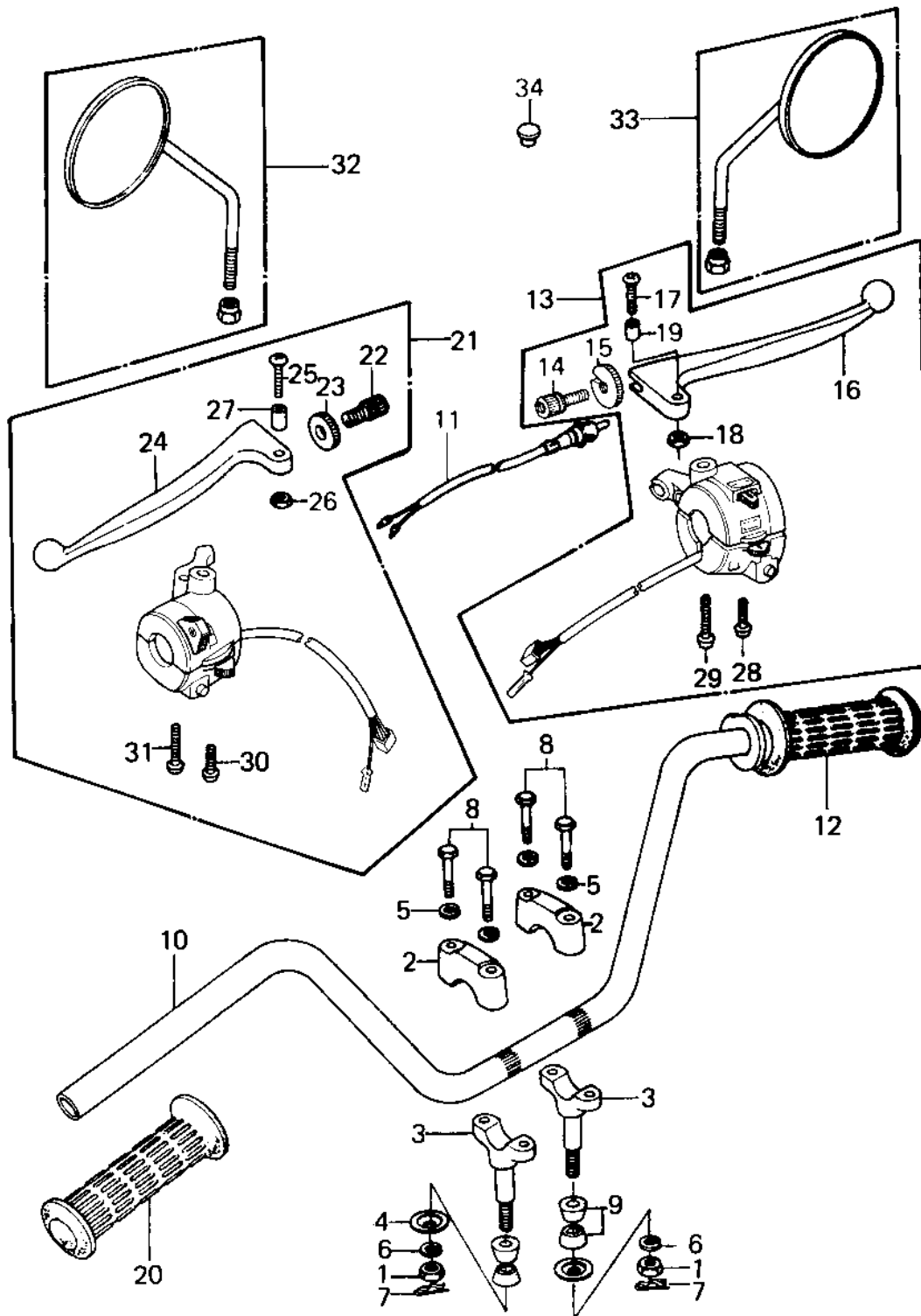


1980 KZ250 PARTS DIAGRAM

HANDLEBAR ('80 D1)



1980 KZ250 PARTS LIST

HANDLEBAR ('80 D1)

ITEM NAME	PART NUMBER	QUANTITY
NUT,10MM (Ref # 1)	314B1000	1
HOLDER-HANDLEBAR (Ref # 2)	46012-008	1
HOLDER-HANDLEBAR LOW (Ref # 3)	46012-010	1
CAP HANDLEBAR HOLDER (Ref # 4)	46016-003	1
WASHER SPRING 8MM (Ref # 5)	461F0800	1
WASHER SPRING 10MM (Ref # 6)	461F1000	1
PIN,SNAP (Ref # 7)	554A0800	1
BOLT 8X38 (Ref # 8)	92001-1405	1
DAMPER RUBBER HANDLE (Ref # 9)	92075-039	1
HANDLEBAR (Ref # 10)	46003-1045	1
SWITCH-FR. BRAKE LAMP (Ref # 11)	27021-004	1
GRIP ASSY,THROTTLE (Ref # 12)	46019-041	1
HOUSING ASSY,R.H (Ref # 13)	46091-1084	1
SCREW CABLE ADJUST (Ref # 14)	46055-003	2
NUT-LOCK (Ref # 15)	46056-005	2
LEVER,FRONT BRAKE (Ref # 16)	46058-019	1
SCREW PAN HEAD 5X22 (Ref # 17)	220B0522	2
NUT-LOCK,5MM (Ref # 18)	92019-014	2
COLLAR, LEVER (Ref # 19)	92027-1042	2
RUBBER,L.H GRIP (Ref # 20)	46075-028	1
HOUSING.ASSY,L.H (Ref # 21)	46091-1085	1
LEVER,CLUTCH (Ref # 24)	46092-024	1
SCREW PAN HEAD 5X30 (Ref # 28)	220B0530	1
SCREW,PAN HEAD,5X48 (Ref # 29)	92009-1017	1
SCREW-PAN-CROS,5X25 (Ref # 30)	220B0525	1
SCREW,PAN HEAD,5X38 (Ref # 31)	92009-1018	1
REAR VIEW MIRROR,L.H. (Ref # 32)	56001-1055	1
REAR VIEW MIRROR,R.H. (Ref # 33)	56001-1054	1
CAP-RR VIEW MIRROR (Ref # 34)	92102-009	1