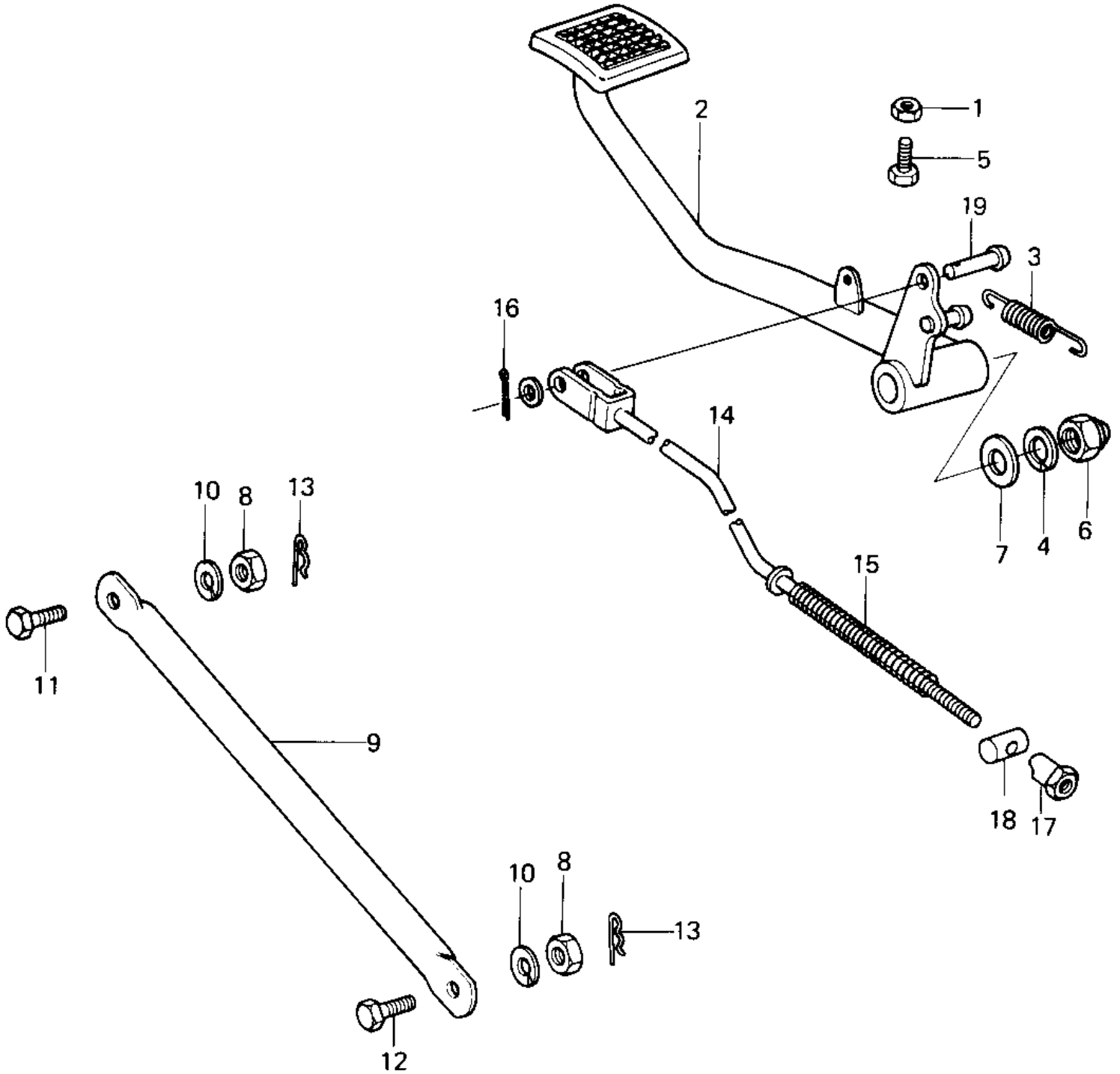


1980 KZ250 PARTS DIAGRAM

BRAKE PEDAL/TORQUE LINK ('80 D1)



1980 KZ250 PARTS LIST

BRAKE PEDAL/TORQUE LINK ('80 D1)

ITEM NAME	PART NUMBER	QUANTITY
NUT 6MM (Ref # 1)	311B0600	1
PEDAL,BRAKE (Ref # 2)	43001-1044	1
SPRING,BRAKE PEDAL (Ref # 3)	43005-029	1
WASHER SPRING 8MM (Ref # 4)	461F0800	1
BOLT,HEX HEAD,6X25 (Ref # 5)	92001-1090	1
NUT,CAP AND LOCK,8MM (Ref # 6)	92019-013	1
WASHER,8.5X20X1.6 (Ref # 7)	92022-1561	1
NUT 10MM (Ref # 8)	315B1000	1
TORQUE LINK REAR BRK (Ref # 9)	43007-018	1
WASHER SPRING 10MM (Ref # 10)	461F1000	1
BOLT TORQUE LINK FIT (Ref # 11)	92003-017	1
BOLT (Ref # 12)	92003-096	1
PIN,SNAP (Ref # 13)	554A0800	1
ROD,BRAKE (Ref # 14)	43011-1022	1
SPRING,BRAKE ROD (Ref # 15)	43012-001	1
PIN COTTER 2.0X15 (Ref # 16)	550D2015	1
NUT-BRAKE ROD ADJUST (Ref # 17)	92015-042	1
PIN BRAKE (Ref # 18)	92043-039	1
PIN,BRAKE ROD FITTING (Ref # 19)	92043-090	1