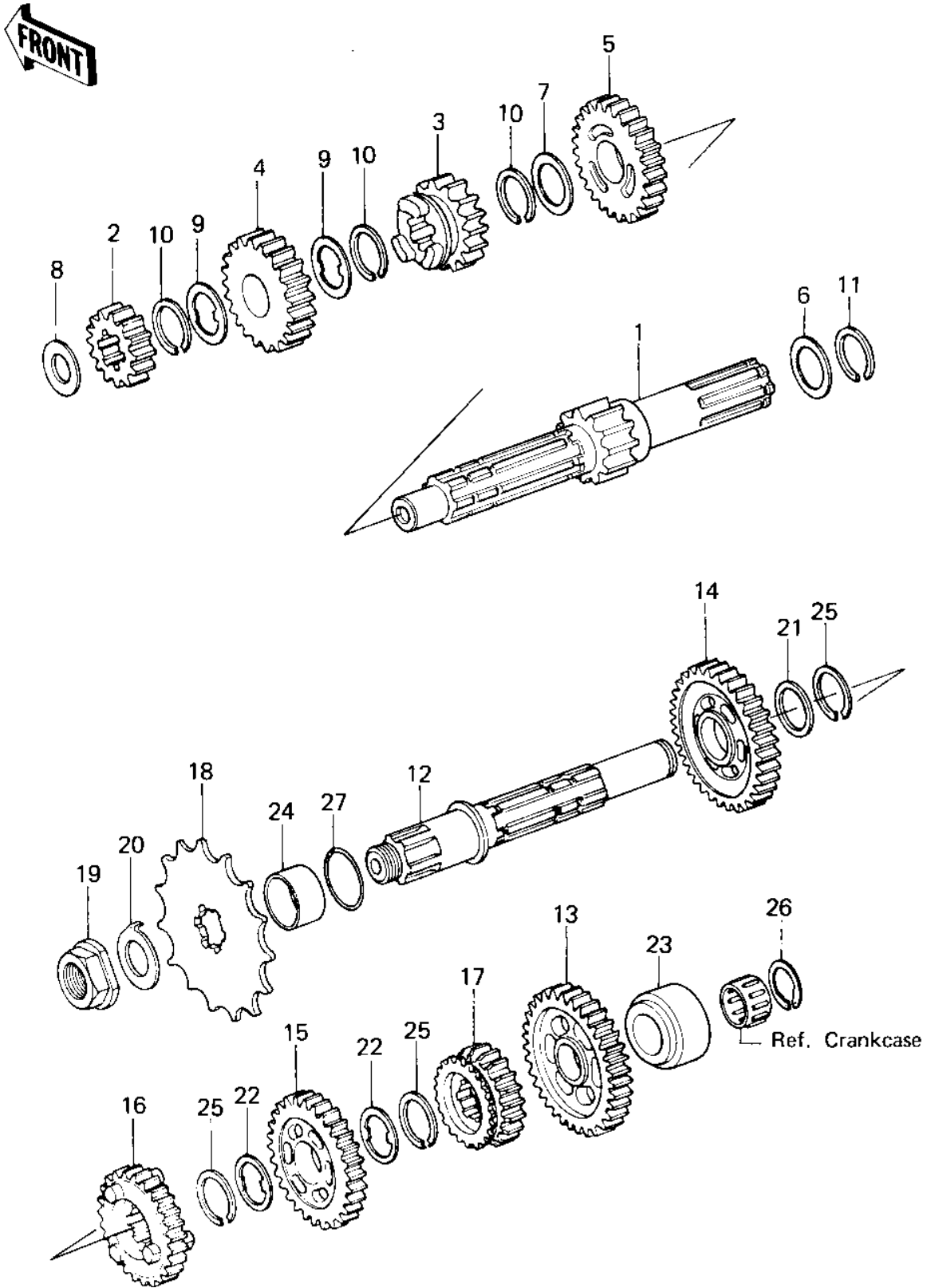


## 1980 KZ250 PARTS DIAGRAM

TRANSMISSION ('80 D1)



## 1980 KZ250 PARTS LIST

TRANSMISSION ('80 D1)

ITEM NAME	PART NUMBER	QUANTITY
SHAFT,DRIVE (Ref # 1)	13127-1029	1
2ND GEAR,DRIVE SHAFT (Ref # 2)	13129-1022	1
GEAR,INPUT,3RD,20T (Ref # 3)	13129-1284	1
4TH GEAR,DRIVE SHAFT (Ref # 4)	13134-026	1
TOP GEAR,DRIVE SHAFT (Ref # 5)	13136-057	1
WASHER THRUST (Ref # 6)	92022-112	1
WASHER-PLAIN (Ref # 7)	92022-198	2
WASHER,THRUST,15MM (Ref # 8)	92022-279	1
WASHER-LOCK (Ref # 9)	92024-039	2
CIRCLIP,25MM (Ref # 10)	92033-025	2
CIRCLIP,18MM (Ref # 11)	92033-029	1
SHAFT,OUTPUT (Ref # 12)	13128-1007	1
LOW GEAR,OUTPUT SHAFT (Ref # 13)	13129-058	1
2ND GEAR,OUTPUT 26T (Ref # 14)	13131-044	1
3RD GEAR,OUTPUT SHAFT (Ref # 15)	13133-044	1
GEAR,OUTPUT 4TH,21T (Ref # 16)	13129-1285	1
TOP GEAR,OUTPUT SHAFT (Ref # 17)	13137-037	1
ENGINE SPROCKET,15T (Ref # 18)	13144-069	1
NUT,LOCK,16M/M (Ref # 19)	92015-1013	1
WASHER,LOCK (Ref # 20)	92022-1017	1
SPACER,DRIVE SHAFT (Ref # 23)	92026-1061	1
COLLAR,ENGINE SPROCKT (Ref # 24)	92027-287	1
CIRCLIP,16MM (Ref # 26)	92033-032	1
"O" RING (Ref # 27)	92055-022	1