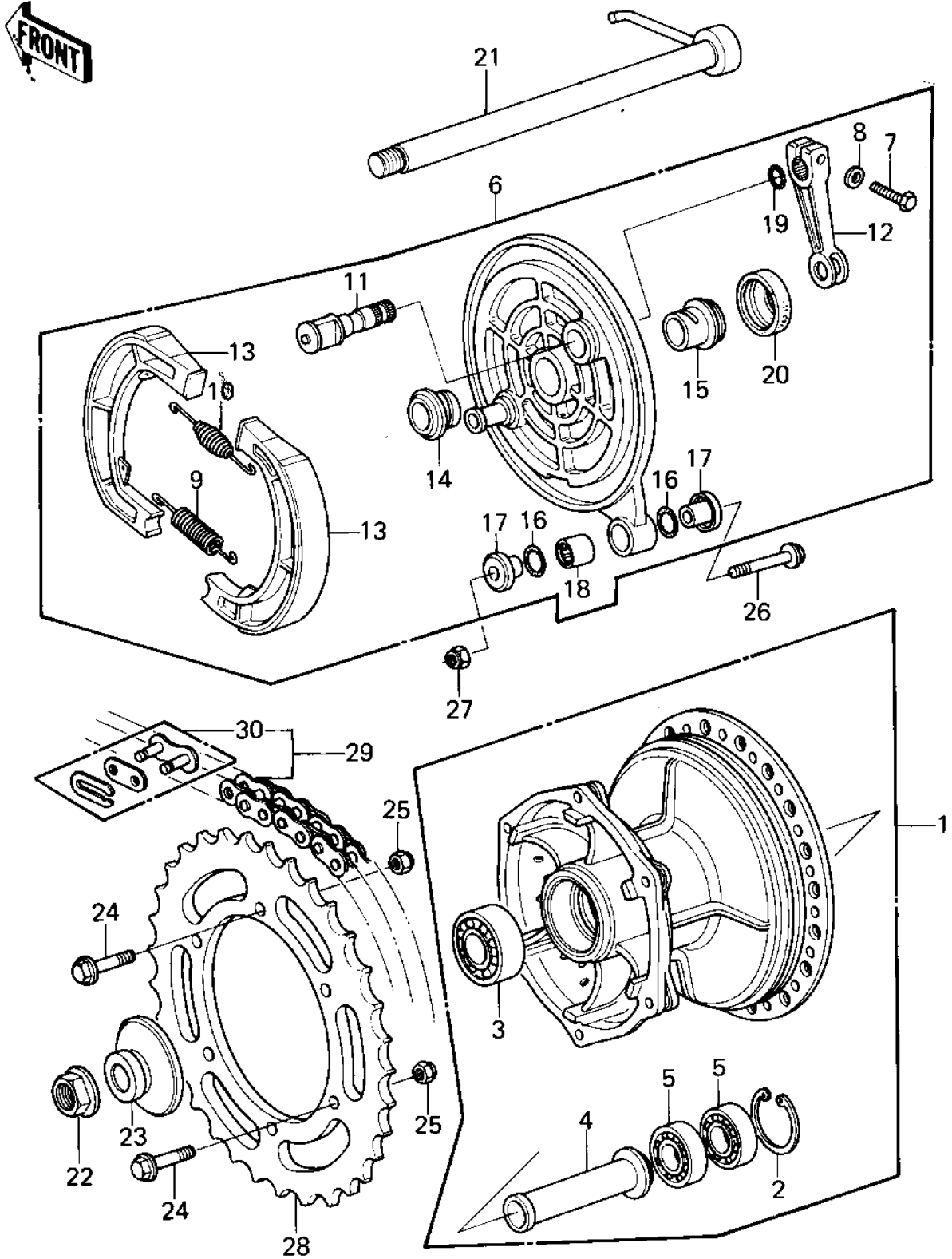


1979 KLX™250 PARTS DIAGRAM

REAR HUB/BRAKE/CHAIN



1979 KLX™250 PARTS LIST

REAR HUB/BRAKE/CHAIN

ITEM NAME	PART NUMBER	QUANTITY
DRUM-ASSY,RR BRK (Ref # 1)	41034-1017	1
CIRCLIP,35MM (Ref # 2)	481J3500	1
BEARING,BALL,*6004UU* (Ref # 3)	601B6004UU	1
COLLAR,REAR BRAKE (Ref # 4)	92027-1207	1
BEARING-BALL,#6003UC3 (Ref # 5)	601B6003U	1
PANEL-ASY,RR BRK (Ref # 6)	41035-1025	1
BOLT-UPSET (Ref # 7)	112G0622	1
WASHER PLAIN 6MM (Ref # 8)	410B0600	1
SPRING,BRAKE SHOE (Ref # 9)	92081-1766	1
SPRING,BRAKE SHOE (Ref # 10)	92081-1550	1
CAM SHAFT, (Ref # 11)	41050-1007	1
LEVER,BROKE CAM REAR (Ref # 12)	41053-1008	1
SHOE,BRAKE (Ref # 13)	42019-010	1
SLEEVE,REAR BRAKE (Ref # 14)	42036-1009	1
SLEEVE,REAR PANEL,R.H (Ref # 15)	42036-1035	1
"O" RING (Ref # 16)	670B2011	1
COLLAR (Ref # 17)	92027-1040	1
BEARING,NEEDLE (Ref # 18)	92046-1009	1
"O" RING,12MM (Ref # 1)	670B2012	1
OIL SEAL (Ref # 20)	92093-1004	1
AXLE,REAR (Ref # 21)	41068-4002	1
NUT,16M/M (Ref # 22)	92015-1015	1
COLLAR,REAR AXLE (Ref # 23)	92027-1206	1
BOLT,HEX HEAD,8X32 (Ref # 24)	92001-1040	1
NUT,LOCK,8MM (Ref # 25)	92015-1124	2
BOLT,HEX HEAD,8X36 (Ref # 26)	92001-1041	1
REAR SPROCKET 46T (Ref # 28)	42041-1036	1
REAR SPROCKET,44T (Ref # 28)	42041-1037	1
REAR SPROCKET,47T (Ref # 28)	42041-1038	1

1979 KLX™250 PARTS LIST

REAR HUB/BRAKE/CHAIN

ITEM NAME	PART NUMBER	QUANTITY
DR CHAIN 520X108L (Ref # 29)	92057-1032	1
CHAIN JOINT 520 (Ref # 30)	92058-1002	1