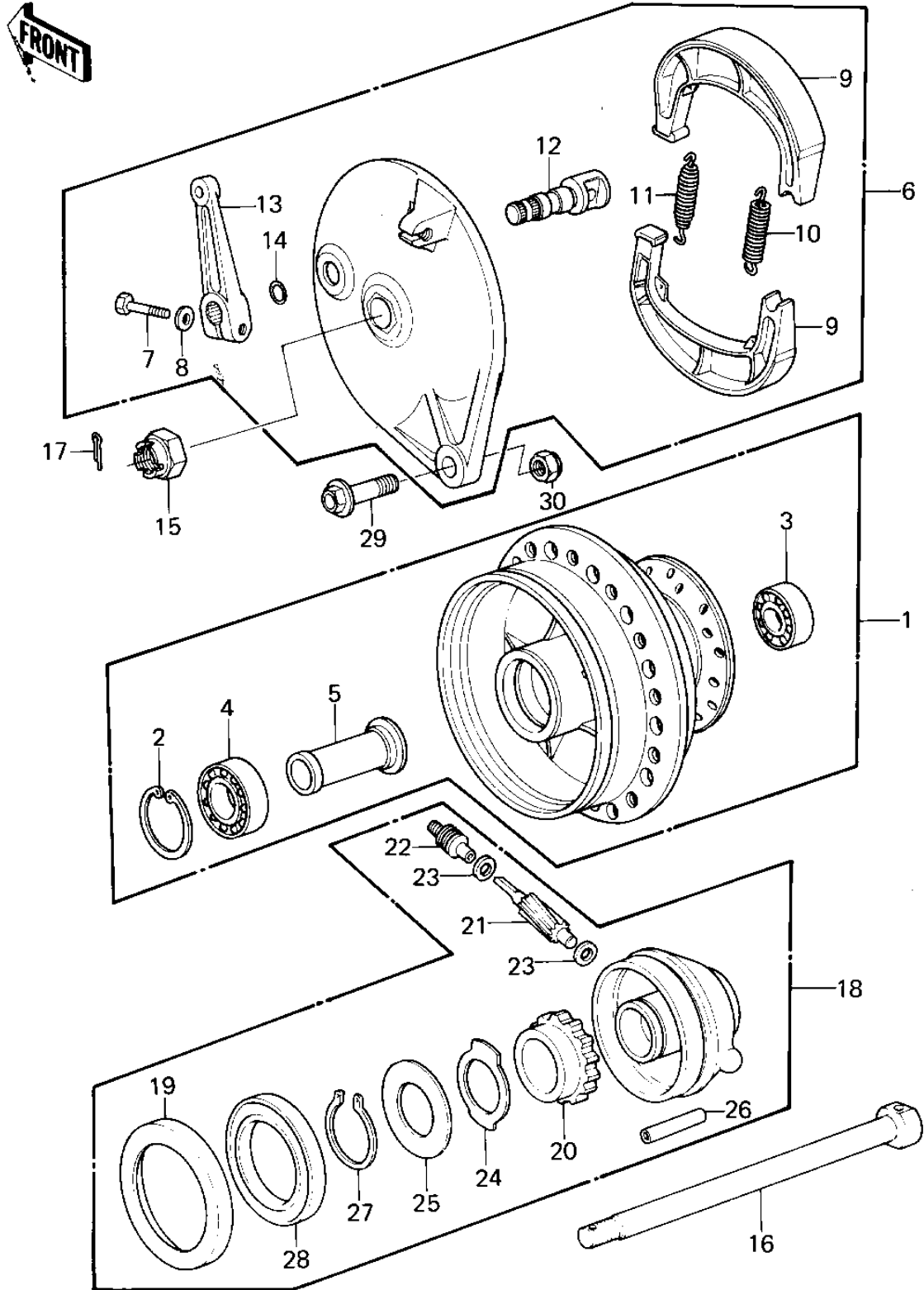


1979 KLX™250 PARTS DIAGRAM

FRONT HUB/BRAKE



1979 KLX™250 PARTS LIST

FRONT HUB/BRAKE

ITEM NAME	PART NUMBER	QUANTITY
DRUM-ASSY,FR BRK (Ref # 1)	41034-1016	1
CIRCLIP.37MM (Ref # 2)	481J3700	1
BEARING,BALL (Ref # 3)	601B6201U	1
BEARING,BALL (Ref # 4)	601B6301U	1
COLLAR,FRONT BEARING (Ref # 5)	92027-1073	1
PANEL-ASY,FR BRK (Ref # 6)	41035-1024	1
BOLT-UPSET (Ref # 7)	112G0622	1
WASHER PLAIN 6MM (Ref # 8)	410B0600	1
SHOE,BRAKE (Ref # 9)	41048-015	1
SPRING,BRAKE SHOE (Ref # 10)	92081-1766	1
SPRING,BRAKE SHOE (Ref # 11)	92081-1550	1
CAM SHAFT,FRONT BRAKE (Ref # 12)	41050-1006	1
LEVER,BRAKE CAM,FRONT (Ref # 13)	41053-1007	1
"O" RING,12MM (Ref # 14)	670B2012	1
NUT-CASTLE (Ref # 15)	320G1200	1
AXLE,FRONT (Ref # 16)	41068-1025	1
PIN,COTTER,3.2X28 (Ref # 17)	550D3228	1
CASE ASSY,SPEED GEAR (Ref # 18)	41078-009	1
DUST COVER (Ref # 19)	41042-013	1
GEAR,SPEEDOMETER (Ref # 20)	41059-024	1
PINION,SPEEDOMETER (Ref # 21)	41060-015	1
BUSH,SPEEDMETER CABLE (Ref # 22)	41062-005	1
WASHER THRST SPD PINI (Ref # 23)	41063-001	1
RECEIVER,SPEED GEAR (Ref # 24)	41064-011	1
WASHER,THRUST (Ref # 25)	41065-004	1
PIN,SPRING (Ref # 26)	41082-001	1
CIRCLIP,19MM (Ref # 27)	480J1900	1
OIL SEAL (Ref # 28)	654A405208	1
BOLT,10X45 (Ref # 29)	92001-1182	1

1979 KLX™250 PARTS LIST

FRONT HUB/BRAKE

ITEM NAME	PART NUMBER	QUANTITY
NUT,LOCK,10MM (Ref # 30)	92019-021	1