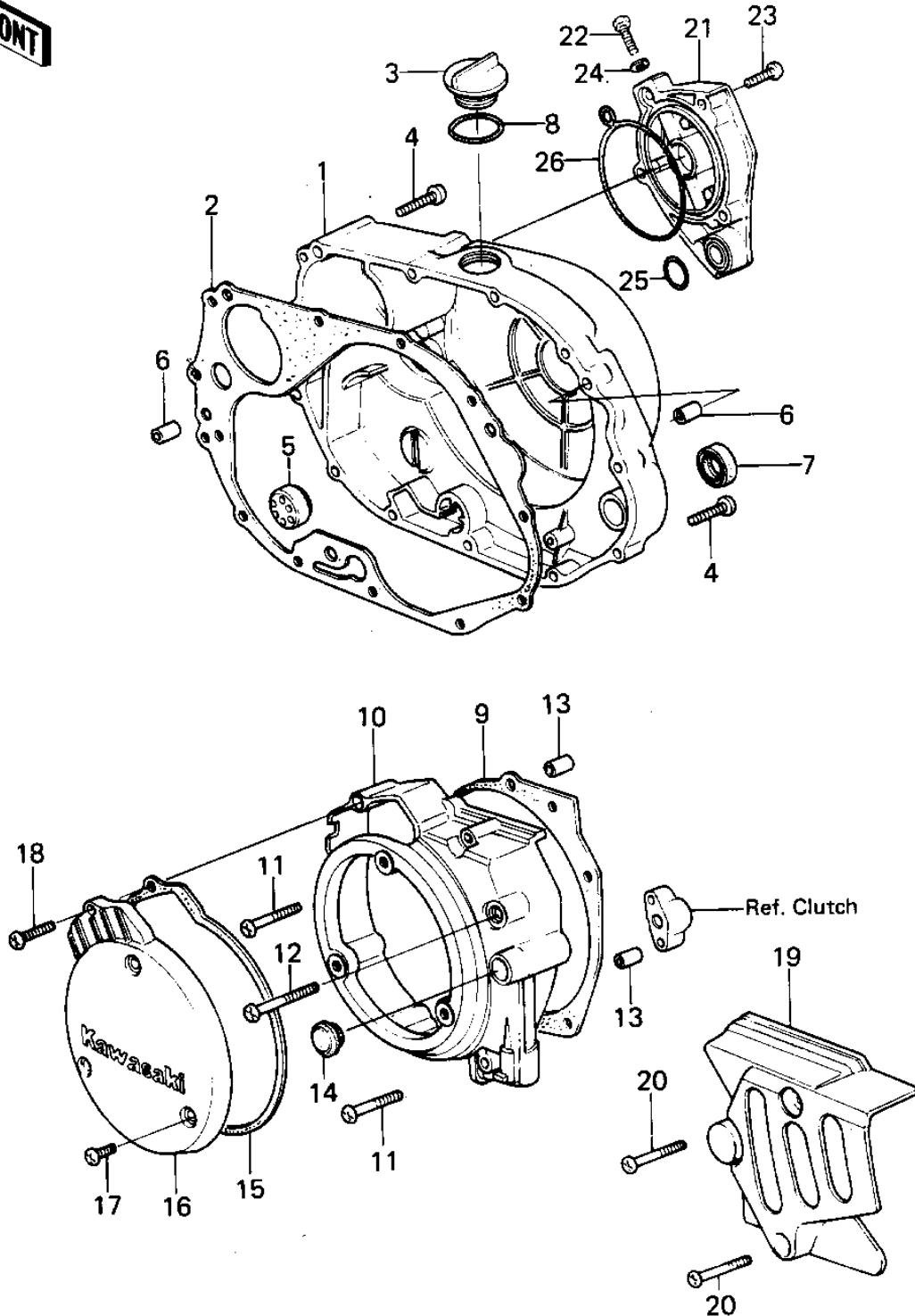


1979 KLX™250 PARTS DIAGRAM

ENGINE COVERS



1979 KLX™250 PARTS LIST

ENGINE COVERS

ITEM NAME	PART NUMBER	QUANTITY
COVER,R.H.ENG,F.BLACK (Ref # 1)	14032-1036	1
GASKET,ENGINE COV,RH (Ref # 2)	11009-1235	1
PLUG,OIL FILLER (Ref # 3)	16115-013	1
SCREW PAN HEAD 6X30 (Ref # 4)	220B0630	1
GAUGE,OIL LEVEL (Ref # 5)	52015-004	1
PIN-DOWEL (Ref # 6)	92042-007	2
OIL SEAL (Ref # 7)	92050-078	1
"O" RING,31MM (Ref # 8)	92055-049	1
GASKET,L.H,ENGINE COV (Ref # 9)	11009-1009	1
COVER,GENERATOR,F.BLK (Ref # 10)	14031-1033	1
SCREW PAN HEAD 6X40 (Ref # 11)	220B0640	1
SCREW PAN HEAD 6X50 (Ref # 12)	220B0650	2
PLUG (Ref # 14)	92066-065	1
GASKET,GENERATOR COV (Ref # 15)	11009-1121	1
COVER,GENERATOR,F.BLK (Ref # 16)	14025-1104	1
SCREW PAN HEAD 6X14 (Ref # 17)	220B0614	1
SCREW PAN HEAD 6X25 (Ref # 18)	220B0625	2
COVER,CHAIN,BLACK (Ref # 19)	14026-1022	1
COVER,FILTER,F.BLACK (Ref # 21)	14025-1102	1
BOLT HEX HEAD 6X8 (Ref # 22)	110B0608	1
WASHER,PLAIN (Ref # 24)	92022-304	1
"O" RING (Ref # 25)	92055-098	1
"O" RING,FILTER COVER (Ref # 26)	92055-1048	1