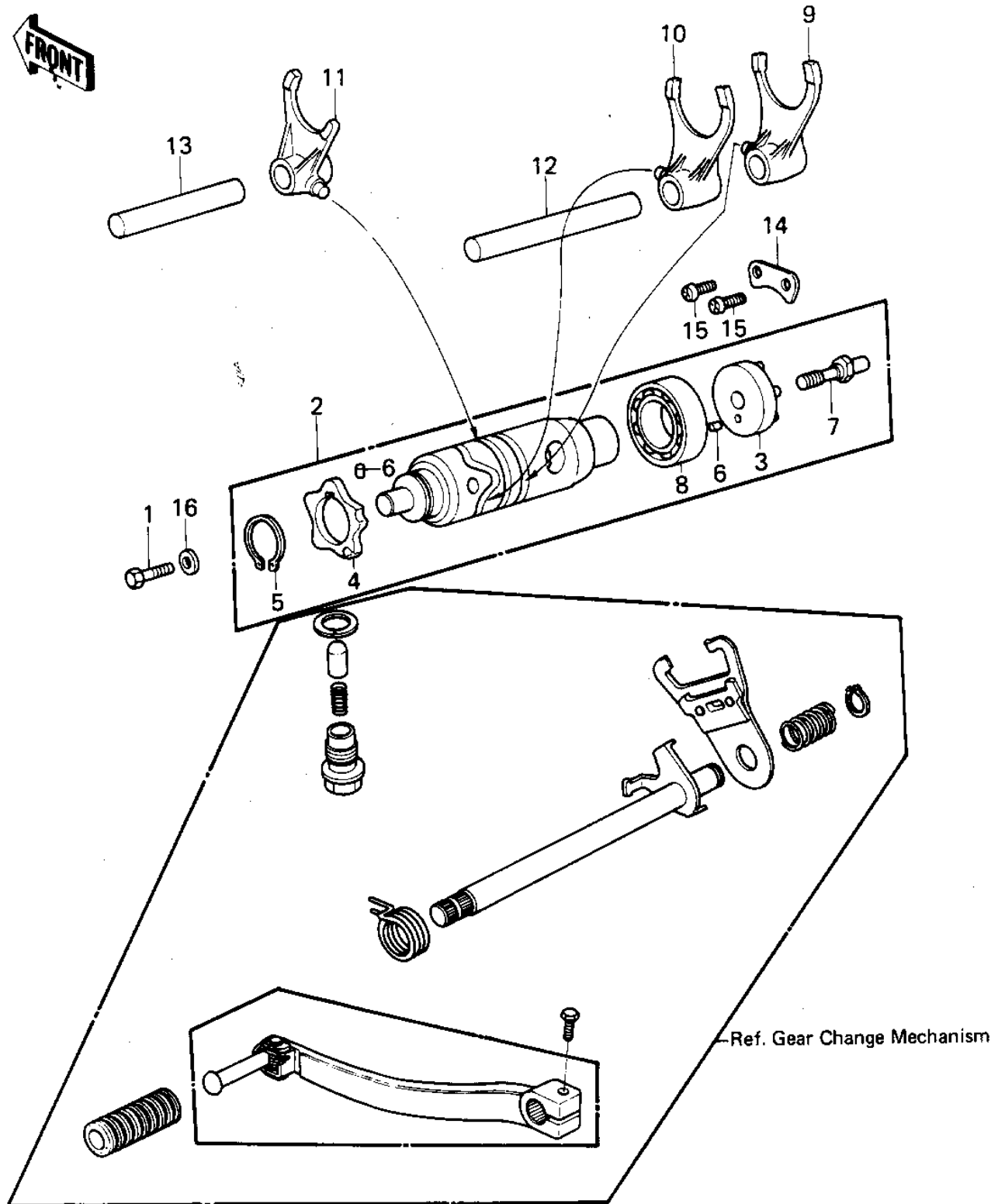


## 1979 KLX™250 PARTS DIAGRAM

GEAR CHANGE DRUM & FORKS



## 1979 KLX™250 PARTS LIST

### GEAR CHANGE DRUM & FORKS

| ITEM NAME                      | PART NUMBER | QUANTITY |
|--------------------------------|-------------|----------|
| BOLT,HEX HEAD,10X14 (Ref # 1)  | 113G1014    | 1        |
| DRUM ASSY,GEAR SHIFT (Ref # 2) | 13239-1036  | 1        |
| PLATE,GEAR CHANGE (Ref # 3)    | 13142-019   | 1        |
| DISC,CHANGE DRUM (Ref # 4)     | 13145-007   | 1        |
| CIRCLIP 24MM (Ref # 5)         | 480J2400    | 1        |
| PIN-DOWEL,4X6 (Ref # 6)        | 610A0406    | 1        |
| BOLT (Ref # 7)                 | 92001-166   | 1        |
| BEARING,BALL,#6905 (Ref # 8)   | 92045-036   | 1        |
| SHIFT FORK,LOW (Ref # 9)       | 13140-073   | 1        |
| SHIFT FORK,2ND&3RD (Ref # 10)  | 13140-074   | 1        |
| SHIFT FORK,4TH&TOP (Ref # 11)  | 13140-075   | 1        |
| ROD,SHIFT 93.7M/M (Ref # 12)   | 49047-1003  | 1        |
| ROD,SHIFT 71.7M/M (Ref # 13)   | 49047-1002  | 1        |
| PLATE,GEAR CHANGE (Ref # 14)   | 13169-014   | 1        |
| SCREW PAN HEAD 6X14 (Ref # 15) | 220B0614    | 1        |
| GASKET,10X14.5X1.5 (Ref # 16)  | 11009-1105  | 1        |