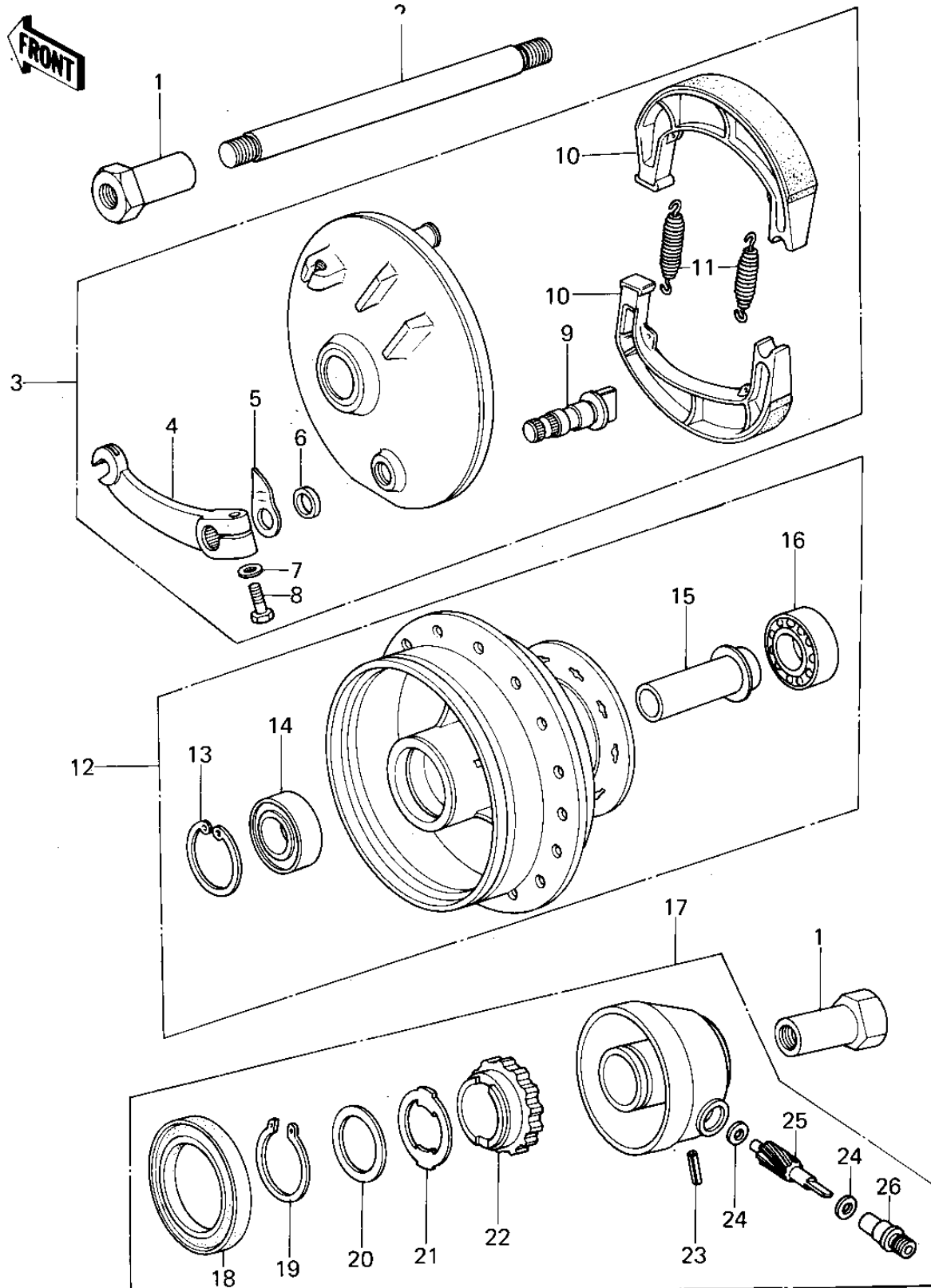


## 1978 KL250 PARTS DIAGRAM

FRONT HUB/BRAKE ('78-'79 KL250-A1/A1A/A2)



## 1978 KL250 PARTS LIST

FRONT HUB/BRAKE ('78-'79 KL250-A1/A1A/A2)

| ITEM NAME                        | PART NUMBER | QUANTITY |
|----------------------------------|-------------|----------|
| COLLAR,FRONT AXLE (Ref # 1)      | 41069-031   | 1        |
| AXLE,FRONT (Ref # 2)             | 41068-048   | 1        |
| PANEL-ASY,FR BRK (Ref # 3)       | 41035-082   | 1        |
| LEVER,BRAKE CAM (Ref # 4)        | 41053-028   | 1        |
| INDICATOR,FR BRK SHOE (Ref # 5)  | 41085-017   | 1        |
| DUST SHIELD BRAKE CAM (Ref # 6)  | 41051-001   | 1        |
| WASHER PLAIN 6MM (Ref # 7)       | 410B0600    | 1        |
| BOLT-UPSET (Ref # 8)             | 112G0625    | 1        |
| CAM SHAFT,BRAKE (Ref # 9)        | 42026-027   | 1        |
| SHOE-BRAKE (Ref # 10)            | 41048-1068  | 1        |
| SPRING-BRAKE SHOE (Ref # 11)     | 42020-004   | 1        |
| DRUM-ASSY,FR BRK (Ref # 12)      | 41034-052   | 1        |
| CIRCLIP,42MM (Ref # 13)          | 92033-1041  | 1        |
| BEARING,FRONT DRUM (Ref # 14)    | 92045-033   | 1        |
| COLLAR,FRONT HUB BRG (Ref # 15)  | 41039-037   | 1        |
| BEARING BALL #6302 (Ref # 16)    | 601B6302    | 1        |
| GEAR BOX ASSY (Ref # 17)         | 41078-011   | 1        |
| OIL SEAL,#50659 (Ref # 18)       | 654A506509  | 1        |
| CIRCLIP 24MM (Ref # 19)          | 480J2400    | 1        |
| WASHER,THRUST (Ref # 20)         | 41065-005   | 1        |
| RECEIVER,SPEEDOMETER (Ref # 21)  | 41064-015   | 1        |
| GEAR,SPEEDOMETER (Ref # 22)      | 41059-027   | 1        |
| PIN,SPRING (Ref # 23)            | 41082-001   | 1        |
| WASHER THRST SPD PINI (Ref # 24) | 41063-001   | 1        |
| PINION,SPEEDOMETER (Ref # 25)    | 41060-015   | 1        |
| BUSH,SPEEDMETER CABLE (Ref # 26) | 41062-005   | 1        |