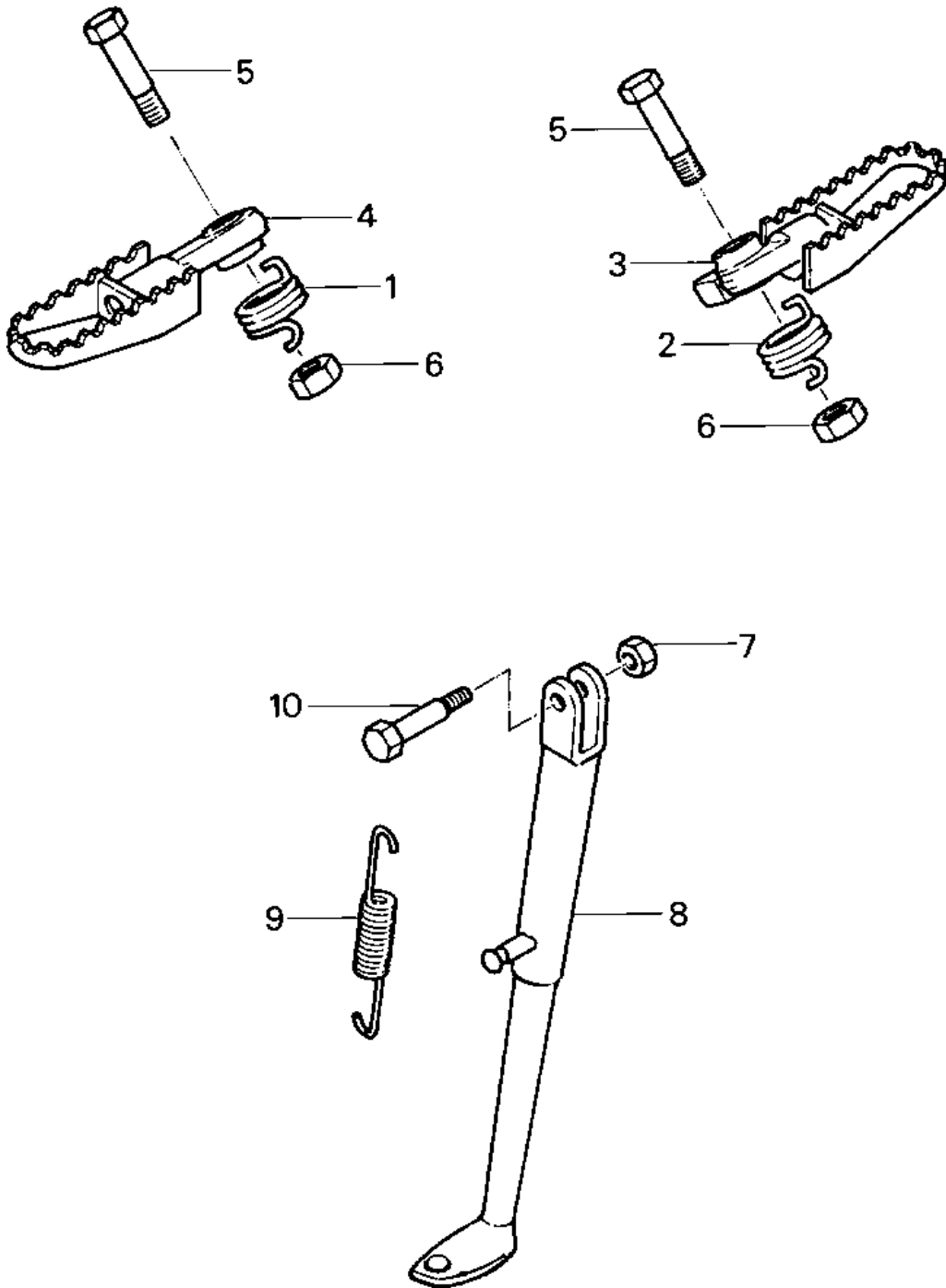


1980 KDX™250 PARTS DIAGRAM

FOOTRESTS/STAND



1980 KDX™250 PARTS LIST

FOOTRESTS/STAND

ITEM NAME	PART NUMBER	QUANTITY
SPRING,L.H,FOOTREST (Ref # 1)	92081-1254	1
SPRING,R.H,FOOTREST (Ref # 2)	92081-1255	1
STEP (Ref # 3)	34028-1033	1
STEP (Ref # 4)	34028-1034	1
BOLT,HEX HEAD 10X40 (Ref # 5)	92001-1028	1
NUT,LOCK,10MM (Ref # 6)	92019-021	1
NUT 10MM (Ref # 7)	315B1000	1
STAND-SIDE (Ref # 8)	34024-4001	1
SPRING,SIDE STAND (Ref # 9)	34025-008	1
BOLT, SIDE STAND FIT (Ref # 10)	92003-157	1