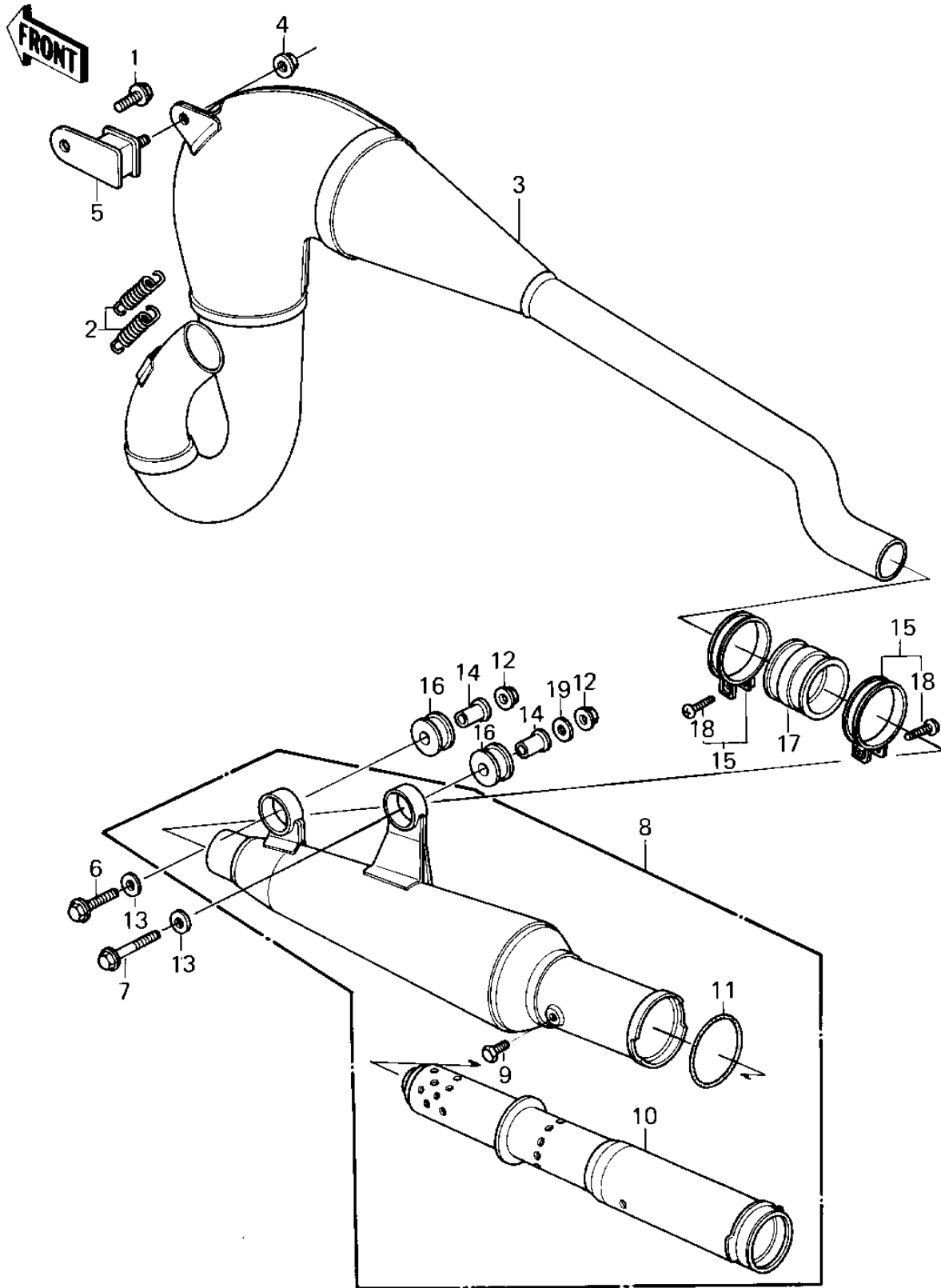


## 1980 KDX™250 PARTS DIAGRAM

MUFFLER



## 1980 KDX™250 PARTS LIST

### MUFFLER

ITEM NAME	PART NUMBER	QUANTITY
BOLT,FLANGED,8X14 (Ref # 1)	130G0814	1
SPRING-CONNECTOR (Ref # 2)	18071-003	1
BODY,MUFFLER (Ref # 3)	49070-1026	1
NUT,8M/M (Ref # 4)	92015-1014	1
DAMPER,MUFFLER FITING (Ref # 5)	92075-1060	1
BOLT,FLANGED,8X35 (Ref # 6)	130G0835	1
BOLT,FLANGED,8X55 (Ref # 7)	130G0855	1
MUFFLER ASSY,F.BLACK (Ref # 8)	18001-1109	1
BOLT,FLANGED,6X8 (Ref # 9)	130B0608	1
BAFFLE PIPE,MUFFLER (Ref # 10)	49099-1011	1
"0" RING,50.8MM,MUFLR (Ref # 11)	92055-1077	1
NUT,LOCK,8MM (Ref # 12)	92015-1124	1
WASHER,PLAIN (Ref # 13)	92022-298	1
COLLAR,FUEL TANK FITT (Ref # 14)	92027-1134	1
CLAMP,MUFFLER (Ref # 15)	92037-177	1
DAMPER,MUFFLER (Ref # 16)	92075-1196	1
DUST SHIELD,MUFFLER (Ref # 17)	92093-1014	1
SCREW-PAN-CROS,5X25 (Ref # 18)	220B0525	1
WASHER,8X26X2.3 (Ref # 19)	92022-1564	1