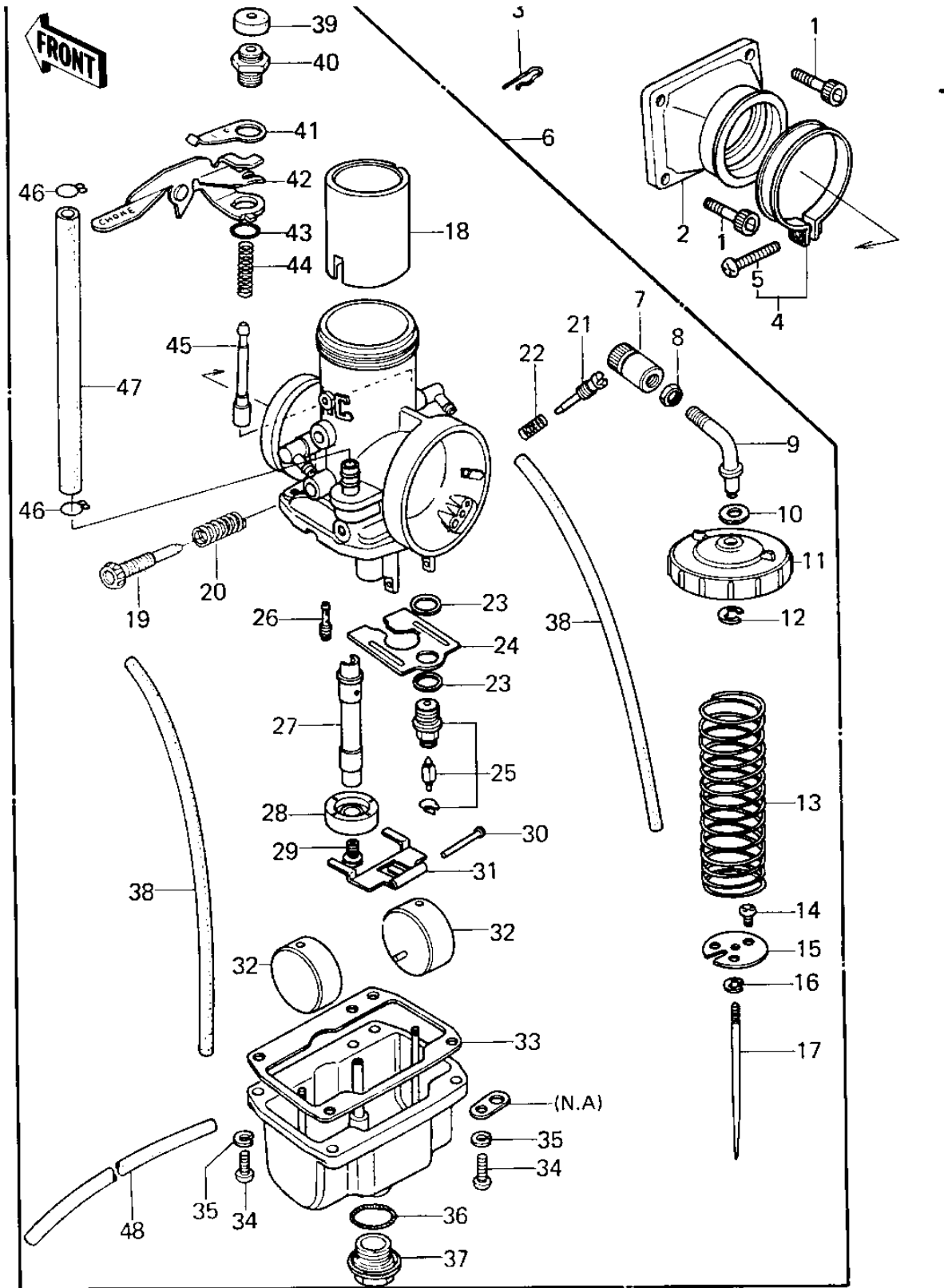


1980 KDX™250 PARTS DIAGRAM

CARBURETOR



1980 KDX™250 PARTS LIST

CARBURETOR

ITEM NAME	PART NUMBER	QUANTITY
BOLT,SOCKET,6X25,BLAC (Ref # 1)	120S0625	1
HOLDER,CARBURETOR (Ref # 2)	16065-1029	1
CIRCLIP (Ref # 3)	92036-018	1
CLAMP,CARBURETOR HLDR (Ref # 4)	92037-116	1
SCREW-PAN-CROS (Ref # 5)	220B0535	1
CARBURETOR ASSY (Ref # 6)	16001-1304	1
ADJUSTER,CABLE (Ref # 7)	16002-1006	1
NUT CABLE ADJUST LOCK (Ref # 8)	16003-004	1
GUIDE,CABLE (Ref # 9)	13070-1014	1
GASKET,CABLE GUIDE (Ref # 10)	11009-1191	1
TOP,MIXING CHAMBER (Ref # 11)	16004-1010	1
CIRCLIP,CABLE GUIDE (Ref # 12)	16008-011	1
SPRING,THROTTLE VALVE (Ref # 13)	16006-028	1
SCREW,4X5 (Ref # 14)	92009-1037	1
SEAT,THROTTLE VALVE (Ref # 15)	16007-1007	1
CIRCLIP (Ref # 16)	16008-010	1
JET NEEDLE,6F21 (Ref # 17)	16009-1067	1
VALVE ASSY,CA2.0 (Ref # 18)	16025-1048	1
SCREW,THROTTLE STOP (Ref # 19)	16021-1024	1
SPRING,THRTL STP SCRW (Ref # 20)	92081-1200	1
SCREW (Ref # 21)	16014-006	1
SPRING-THR STOP SCREW (Ref # 22)	16022-007	1
GASKET,FLOAT VALVE (Ref # 23)	11009-1076	1
BAFFLE-CARB (Ref # 24)	16038-019	1
FLOAT VALVE ASSY (Ref # 25)	16030-020	1
PILOT JET #60A (Ref # 26)	92064-031	1
NEEDLE JET,R-2 (Ref # 27)	16017-1066	1
HOLDER,NEEDLE JET (Ref # 28)	16065-1017	1
MAIN JET,#167.5R (Ref # 29)	92063-1021	1

1980 KDX™250 PARTS LIST

CARBURETOR

ITEM NAME	PART NUMBER	QUANTITY
MAIN JET,#172.5R (Ref # 29)	92063-1027	1
MAIN JET,#170R (Ref # 29)	92063-1022	1
MAIN JET,#165R (Ref # 29)	92063-1020	1
MAIN JET,#162.5R (Ref # 29)	92063-1019	1
PIN,FLOAT (Ref # 30)	16032-008	1
ARM,FLOAT (Ref # 31)	16055-009	1
FLOAT (Ref # 32)	16031-029	1
GASKET,FLOAT CHAMBER (Ref # 33)	16019-028	1
UNAVAILABLE IN PRICE BOOK (Ref # 34)	214B0516A	1
WASHER SPRING 5MM (Ref # 35)	461F0500	1
GASKET-COVER (Ref # 36)	16038-009	1
COVER,MAIN JET (Ref # 37)	16049-006	1
TUBE,3.5X6.5X410 (Ref # 38)	92059-1142	1
CAP,STARTER PLUNGER (Ref # 39)	16039-015	1
CAP,STARTER PLUNGER (Ref # 40)	16012-019	1
SPRING PLATE,STARTER (Ref # 41)	13169-1052	1
LEVER,STARTER PLUNGER (Ref # 42)	13168-1048	1
"O" RING,9MM (Ref # 43)	670B1509	1
SPRING,STRTR PLUNGER (Ref # 44)	92081-1181	1
PLUNGER ASSY,STARTER (Ref # 45)	16016-1008	1
CLAMP,HOSE (Ref # 46)	92037-1184	1
TUBE,7.5X12.5X225 (Ref # 47)	92059-1123	1
TUBE,3.5X6.5X290,BRTH (Ref # 48)	92059-1017	1