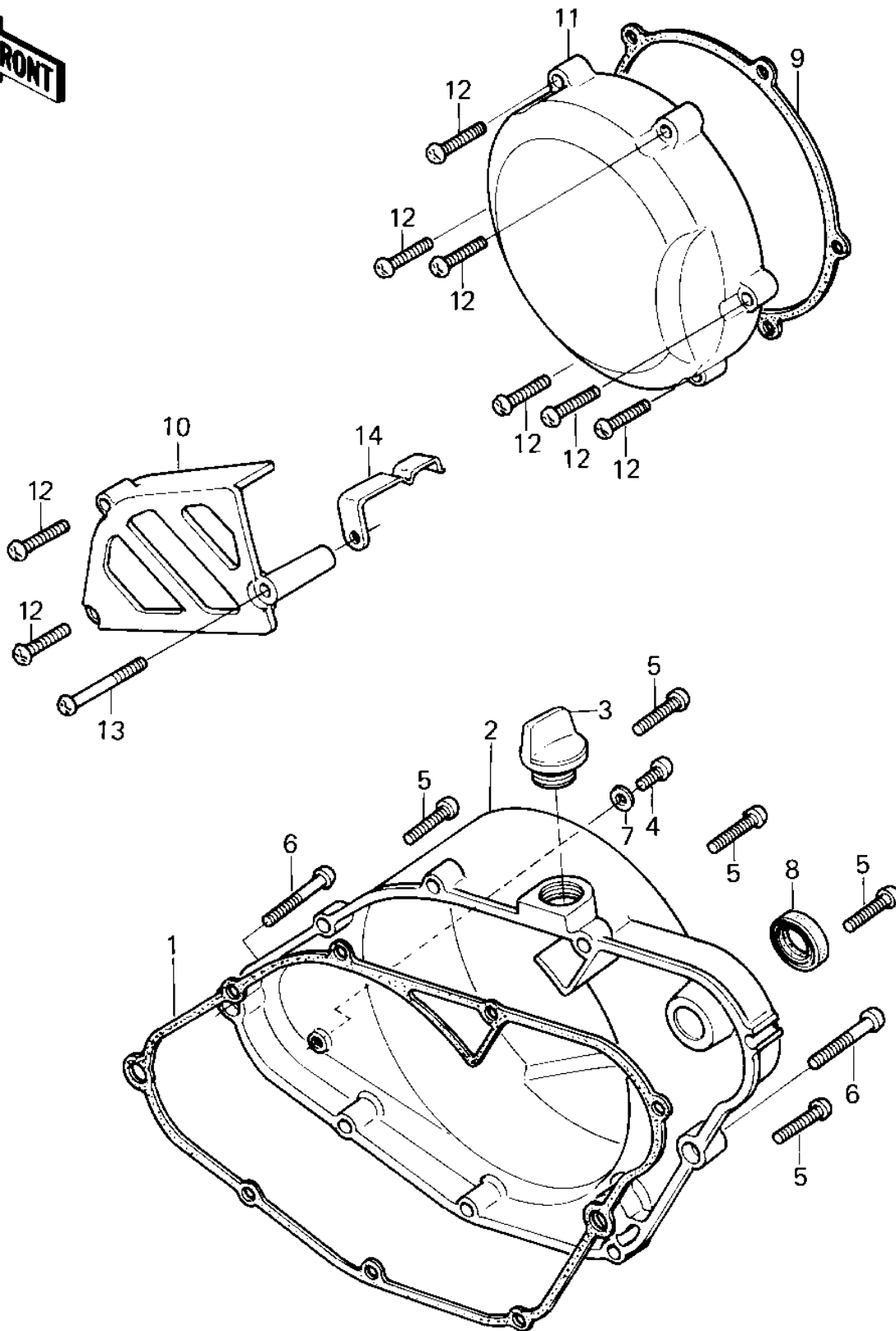


## 1980 KDX™250 PARTS DIAGRAM

ENGINE COVERS



## 1980 KDX™250 PARTS LIST

### ENGINE COVERS

ITEM NAME	PART NUMBER	QUANTITY
GASKET,R.H ENG COVER (Ref # 1)	11009-1171	1
COVER,R.H ENG,BLACK (Ref # 2)	14032-1042	1
FILLER,OIL (Ref # 3)	16115-018	1
SCREW PAN HEAD 6X8 (Ref # 4)	220B0608	1
SCREW PAN HEAD 6X25 (Ref # 5)	220B0625	2
SCREW PAN HEAD 6X35 (Ref # 6)	220B0635	1
WASHER OIL PUMP BANJO (Ref # 7)	92022-077	1
OIL SEAL SB16244 (Ref # 8)	92049-002	1
GASKET,L.H ENG,COVER (Ref # 9)	11009-1172	1
COVER,CHAIN,F.BLACK (Ref # 10)	14026-1027	1
COVER,L.H ENG,F.BLACK (Ref # 11)	14031-1049	1
SCREW PAN HEAD 6X45 (Ref # 13)	220B0645	1
CLAMP,WIRING HARNESS (Ref # 14)	92037-142	1