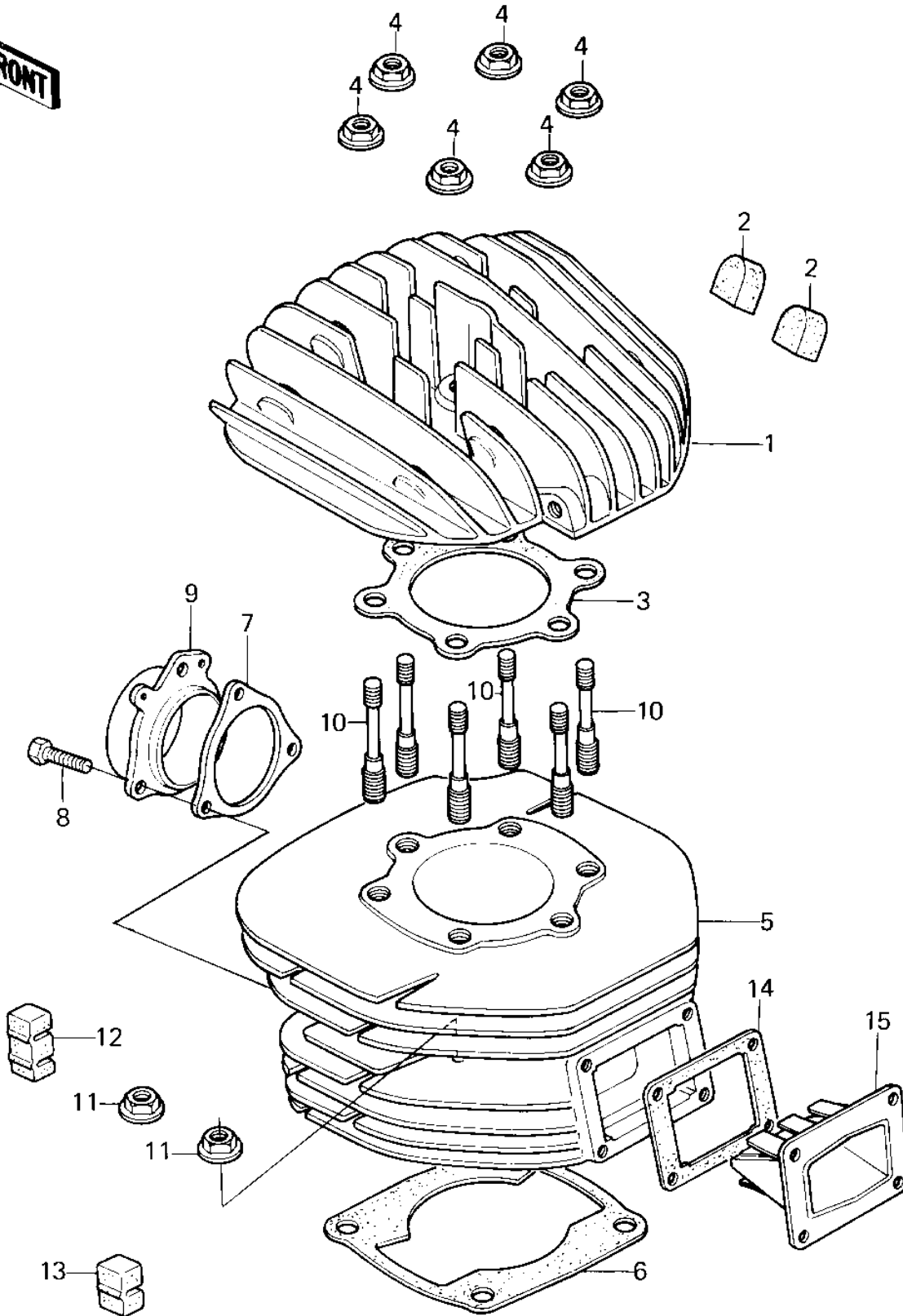


1980 KDX™250 PARTS DIAGRAM

CYLINDER HEAD/CYLINDER/REED VALVE



1042

1980 KDX™250 PARTS LIST

CYLINDER HEAD/CYLINDER/REED VALVE

ITEM NAME	PART NUMBER	QUANTITY
CYLINDER HEAD,F BLACK (Ref # 1)	11001-1031	1
DAMPER RUBBER (Ref # 2)	92075-1176	1
GASKET,CYL HEAD (Ref # 3)	11004-1012	1
NUT,8M/M (Ref # 4)	92015-1014	1
CYLINDER,ELECTRO-FUSE (Ref # 5)	11005-1066	1
GASKET,CYLINDER BASE (Ref # 6)	11009-038	1
GASKET,EXHAUST PIPE (Ref # 7)	11009-1017	1
BOLT-UPSET (Ref # 8)	112G0618	1
HOLDER,EXHAUST PIPE (Ref # 9)	18069-1013	1
STUD,CYLINDER (Ref # 10)	92004-1026	1
NUT,10MM (Ref # 11)	92015-1415	1
DAMPER,CYLINDER (Ref # 12)	92075-1160	1
DAMPER,CYLINDER (Ref # 13)	92075-1161	1
GASKET,REED VALVE (Ref # 14)	11009-1018	1
VALVE ASSY,REED (Ref # 15)	12021-1007	1