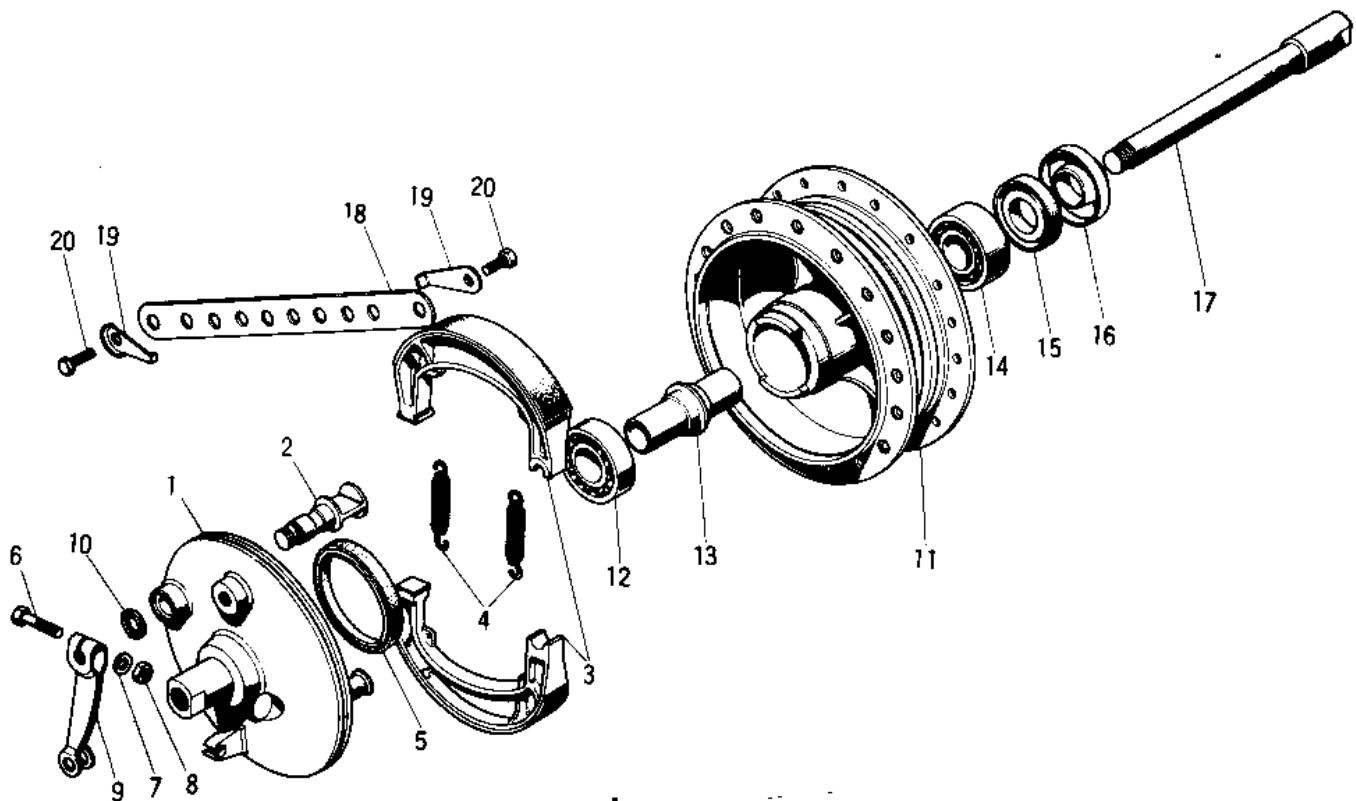


1972 PARTS DIAGRAM

FRONT HUB/BRAKE ('71 F81M)



1972 PARTS LIST

FRONT HUB/BRAKE ('71 F81M)

ITEM NAME	PART NUMBER	QUANTITY
PANEL-ASY,FR BRK (Ref # 1~10)	41035-032	1
CAM SHAFT,REAR BRAKE (Ref # 2)	42026-021	1
SHOE,BRAKE (Ref # 3)	42019-011	1
SPRING-BRAKE SHOE (Ref # 4)	42020-004	1
OIL SEAL F BRK PANEL (Ref # 5)	92050-010	1
BOLT-UPSET,6X40 (Ref # 6)	112G0640	1
WASHER PLAIN 6MM (Ref # 7)	410B0600	1
NUT 6MM (Ref # 8)	311B0600	1
LEVER,REAR BRAKE CAM (Ref # 9)	42029-037	1
DUST SHIELD BRAKE CAM (Ref # 10)	41051-001	1
DRUM-ASSY,FR BRK,BUFF (Ref # 11~15)	41034-048-80	1
DRUM-ASSY,FR BRK (Ref # 11~15)	41034-022	1
BEARING BALL #6202Z (Ref # 12)	601B6202Z	1
SPACER FR HUB BEARING (Ref # 13)	41039-004	1
BEARING BALL #6202 (Ref # 14)	601B6202	1
OIL SEAL RR BRK DRUM (Ref # 15)	92050-008	1
COLLAR FRONT HUB R.H (Ref # 16)	41069-004	1
AXLE-FRONT (Ref # 17)	41068-029	1
TORQUE LINK-FRNT BRK (Ref # 18)	43007-022	1
WASHER-LOCK (Ref # 19)	92088-012	1
BOLT-HEA HEAD,8X20 (Ref # 20)	92001-086	1