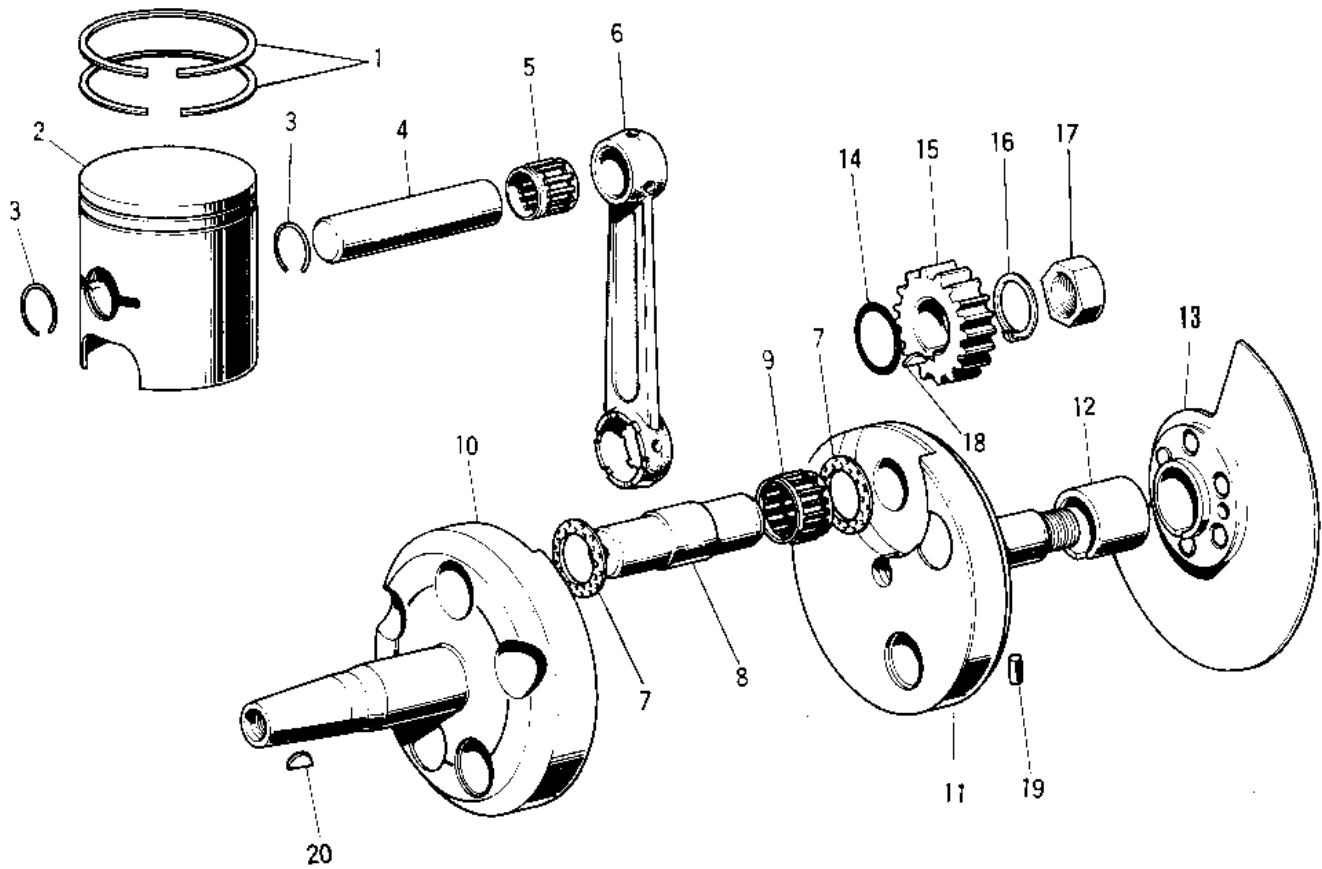


1972 PARTS DIAGRAM

CRANKSHAFT/PISTON/ROTARY VALVE



1972 PARTS LIST

CRANKSHAFT/PISTON/ROTARY VALVE

ITEM NAME	PART NUMBER	QUANTITY
RING SET,STD (Ref # 1)	13008-030	1
PISTON,STD (Ref # 2)	13001-046	1
CIRCLIP-PISTON PIN (Ref # 3)	92036-015	1
PIN-PISTON (Ref # 4)	13002-017	1
BEARING-SMALL END (Ref # 5)	13033-1010	1
CRANK-CONROD ASSY (Ref # 6~13)	13036-029	1
CONNECTING ROD SET (Ref # 6~9)	13044-016	1
WASHER-CONROD SIDE (Ref # 7)	92026-069	1
CRANK PIN (Ref # 8)	13035-026	1
NEEDLE BRG-BIG END (Ref # 9)	13034-032	1
CRANKSHAFT,L.H (Ref # 1)	13037-041	1
UNAVAILABLE IN PRICE BOOK (Ref # 11)	13038-088	1
CALLAR-CRANKSHAFT (Ref # 12)	92027-097	1
VALVE-ROTARY DISC (Ref # 13)	12001-021	1
"O" RING,22MM (Ref # 14)	670B3022	1
PINION,PRIMARY 24T (Ref # 15)	13121-028	1
WASHER-LOCK,18MM (Ref # 16)	92024-029	1
NUT 18MM (Ref # 17)	92015-019	1
WOODRUFF KEY (Ref # 18)	510A5100	1
PIN DOWEL 4X12 (Ref # 19)	610A0412	1
WOODRUFF KEY (Ref # 20)	92038-001	1