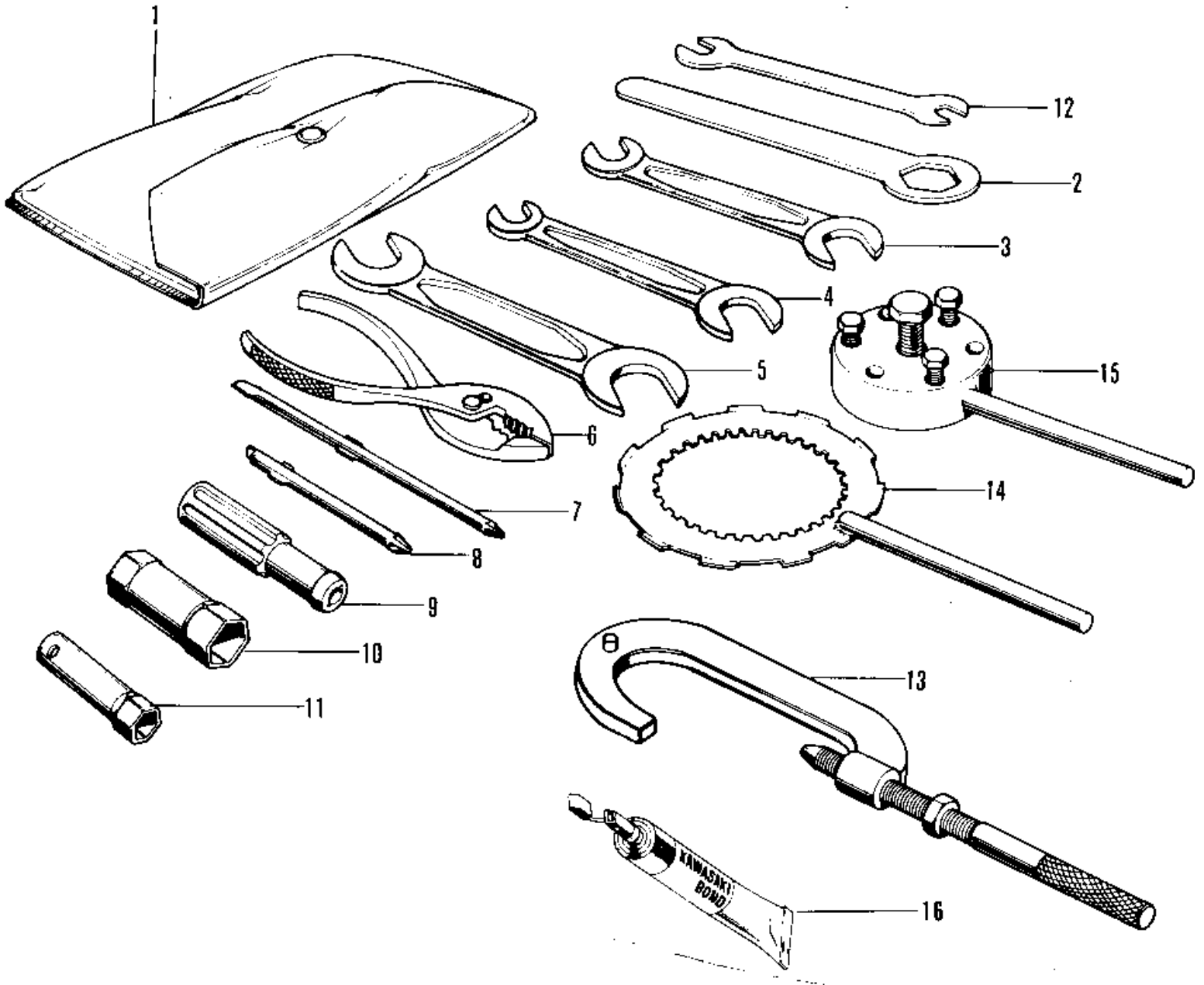


## 1971 F8 PARTS DIAGRAM

OWNER TOOLS/SPECIAL SERVICE TOOLS ('71-')



## 1971 F8 PARTS LIST

OWNER TOOLS/SPECIAL SERVICE TOOLS ('71-'

| ITEM NAME                              | PART NUMBER | QUANTITY |
|--|-------------|----------|
| UNAVAILABLE IN PRICE BOOK (Ref # 1-12) | 56007-020   | 1        |
| BAG,TOOL (Ref # 1)                     | 56008-008   | 1        |
| 92110-1150 (Canada) (Ref # 2)          | 92109-003   | 1        |
| UNAVAILABLE IN PRICE BOOK (Ref # 3)    | 960B1013    | 1        |
| *** N.L.A.*** (Canada) (Ref # 4)       | 960B1014    | 1        |
| *** N.L.A.*** (Canada) (Ref # 5)       | 960B1719    | 1        |
| 92112-003 (Canada) (Ref # 6)           | 92112-001   | 1        |
| TOOL-DRIVER (Ref # 7)                  | 92107-1052  | 1        |
| SCREW DRIVER #3 PHLIP (Ref # 8)        | 92107-005   | 1        |
| 92106-1001 (Canada) (Ref # 9)          | 92106-002   | 1        |
| 92110-012 (Canada) (Ref # 10)          | 92110-009   | 1        |
| WRENCH BOX 10MM (Ref # 11)             | 92110-007   | 1        |
| 92108-011 (Canada) (Ref # 12)          | 92108-004   | 1        |
| 57001-1243 (Canada) (Ref # 13)         | 56019-040   | 1        |
| 57001-1243 (Canada) (Ref # 14)         | 56019-067   | 1        |
| UNAVAILABLE IN PRICE BOOK (Ref # 15)   | 56019-068   | 1        |
| LIQUID GASKET (Ref # 16)               | 92104-002   | 1        |