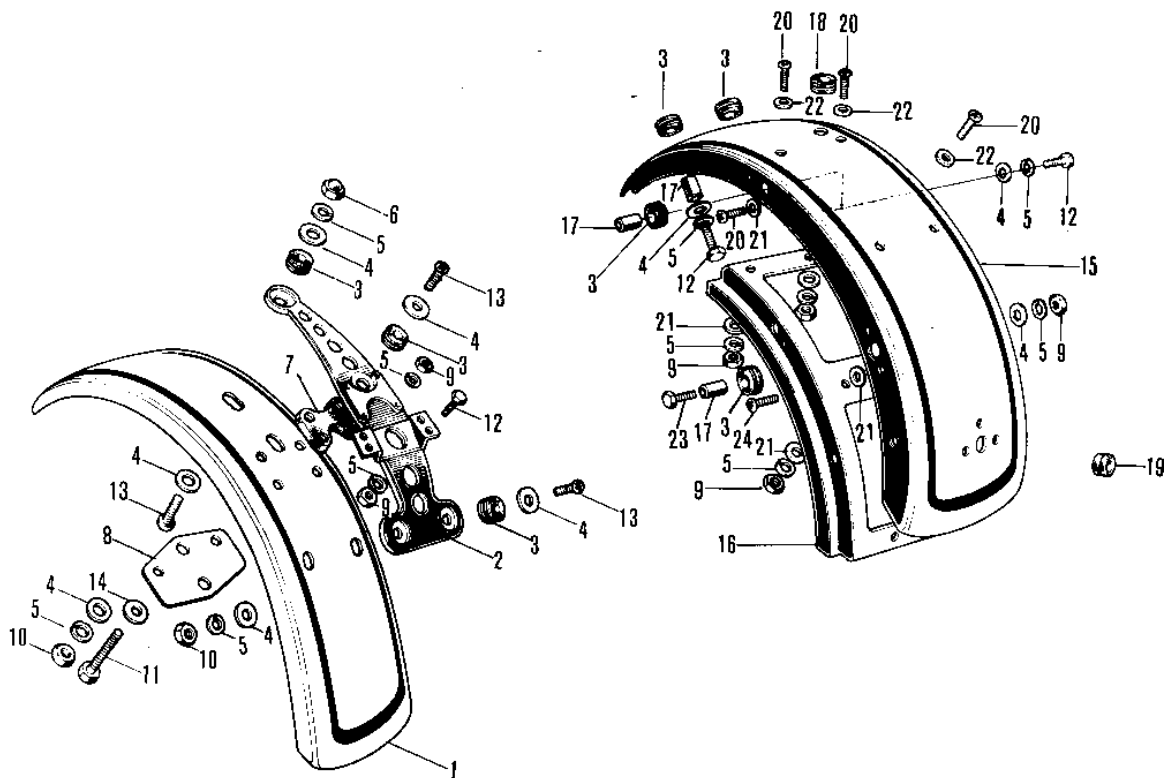


## 1972 PARTS DIAGRAM

FENDERS (F8)



## 1972 PARTS LIST

### FENDERS (F8)

ITEM NAME	PART NUMBER	QUANTITY
FENDER-FRONT,ORANGE (Ref # 1)	35004-048-55	1
BRACKET-FRONT FENDER (Ref # 2)	35012-011	1
DAMPER RUBBER (Ref # 3)	92075-051	1
WASHER 6.5X20X1.6T (Ref # 4)	92022-125	1
WASHER SPRING 6MM (Ref # 5)	461F0600	1
NUT,6MM (Ref # 6)	92015-009	1
DAMPER RUBBER-F.FENDR (Ref # 7)	35007-002	1
PLATE-FRNT FENDER FIT (Ref # 8)	35013-009	1
NUT 6MM (Ref # 9)	311B0600	1
NUT 6MM (Ref # 10)	312B0600	1
BOLT-HEX HEAD,6X42 (Ref # 11)	92003-063	1
BOLT-UPSET (Ref # 12)	112G0618	1
SCREW-PAN HEAD,6X18 (Ref # 13)	220E0618	1
WASHER PLAIN 6MM (Ref # 14)	410B0600	1
FENDER-RR,B.ORANGE (Ref # 15)	35022-046-72	1
BRACE-REAR FENDER (Ref # 16)	35034-010	1
COLLAR (Ref # 17)	92027-103	1
GROMMET HARNESS 10MM (Ref # 18)	92071-010	1
GROMMET HARNESS 10MM (Ref # 19)	92071-019	1
SCREW PAN HEAD 6X14 (Ref # 20)	220B0614	1
WASHER PLAIN 6MM (Ref # 21)	411B0600	1
WASHER PLAIN (Ref # 22)	92022-024	1
BOLT HEX HEAD 6X18 (Ref # 23)	110N0618	1
SCREW PAN HEAD 6X14 (Ref # 24)	220E0614	1