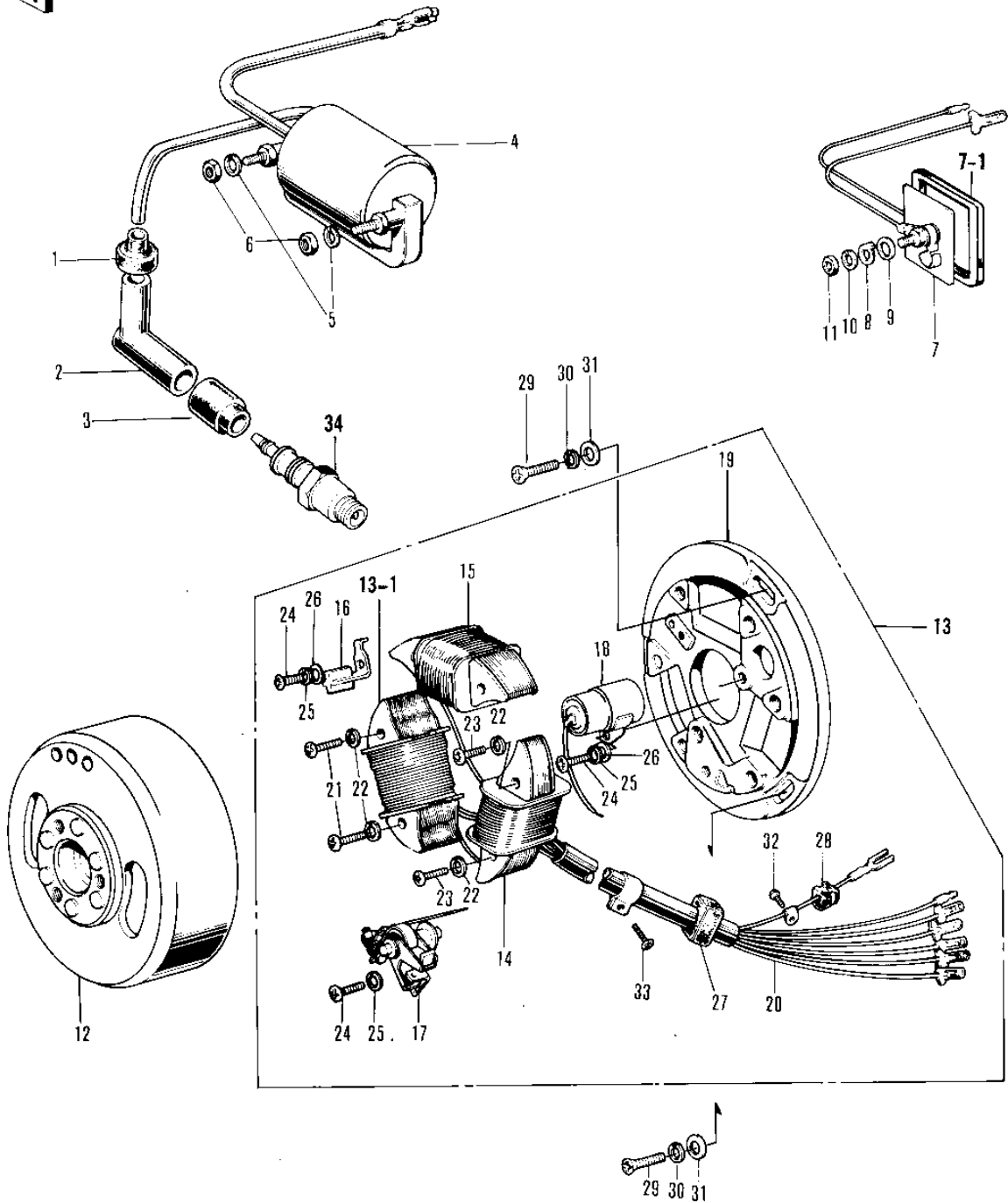


1972 PARTS DIAGRAM

IGNITION/GENERATOR/RECTIFIER



1972 PARTS LIST

IGNITION/GENERATOR/RECTIFIER

ITEM NAME	PART NUMBER	QUANTITY
GROMMET,SPARK PLG CAP (Ref # 1)	21132-005	2
CAP-SPARK PLUG (Ref # 2)	21130-016	1
GROMMET-PLUG CAP,A (Ref # 3)	21131-004	1
COIL-IGNITION (Ref # 4)	21121-042	1
WASHER SPRING 6MM (Ref # 5)	461F0600	1
NUT 6MM (Ref # 6)	311B0600	1
RECTIFIER (Ref # 7)	21061-5001	1
MAT-RECTIFIER (Ref # 7-1)	32103-020	1
WASHER-PLAIN (Ref # 8)	92022-163	1
WASHER PLAIN 5MM (Ref # 9)	410B0500	2
WASHER SPRING 5MM (Ref # 10)	461F0500	3
NUT,5MM (Ref # 11)	311B0500	1
FLYWHEEL (Ref # 12)	21050-011	1
STATOR ASSY (Ref # 13)	21003-012	1
.COIL-LIGHTING,A (Ref # 13-1)	21047-013	1
.COIL-LIGHTING,B (Ref # 14)	21047-014	1
.COIL-PRIMARY (Ref # 15)	21049-012	1
.FELT OIL (Ref # 16)	21019-005	2
.BREAKER ASSY CONTACT (Ref # 17)	21008-006	2
.CONDENSER (Ref # 18)	21013-030	2
.BASE-MAGNETO (Ref # 19)	21048-009	1
.WIRING HARNESS (Ref # 20)	21029-017	1
.SCREW PAN HEAD 5X30 (Ref # 21)	220B0530	1
.SCREW-PAN-CROS,5X25 (Ref # 23)	220B0525	1
.SCREW PAN HEAD 4X10 (Ref # 24)	220B0410	1
.WASHER SPRING 4MM (Ref # 25)	461F0400	1
.WASHER PLAIN 4MM (Ref # 26)	410B0400	1
.GROMMET ENG RUBBER A (Ref # 27)	92071-014	1
.GROMMET WIRING HARN C (Ref # 28)	21017-005	1

1972 PARTS LIST

IGNITION/GENERATOR/RECTIFIER

ITEM NAME	PART NUMBER	QUANTITY
SCREW PAN HEAD 5X20 (Ref # 29)	220B0520	1
SCREW PAN HEAD 3X5 (Ref # 32)	220B0305A	1
SCREW PAN HEAD 3X8 (Ref # 33)	220B0308	1
SPARK PLUGS B8HC (Ref # 34)	92070-010	1
SPARK PLUG B8HS (Ref # 34)	B8HS	2