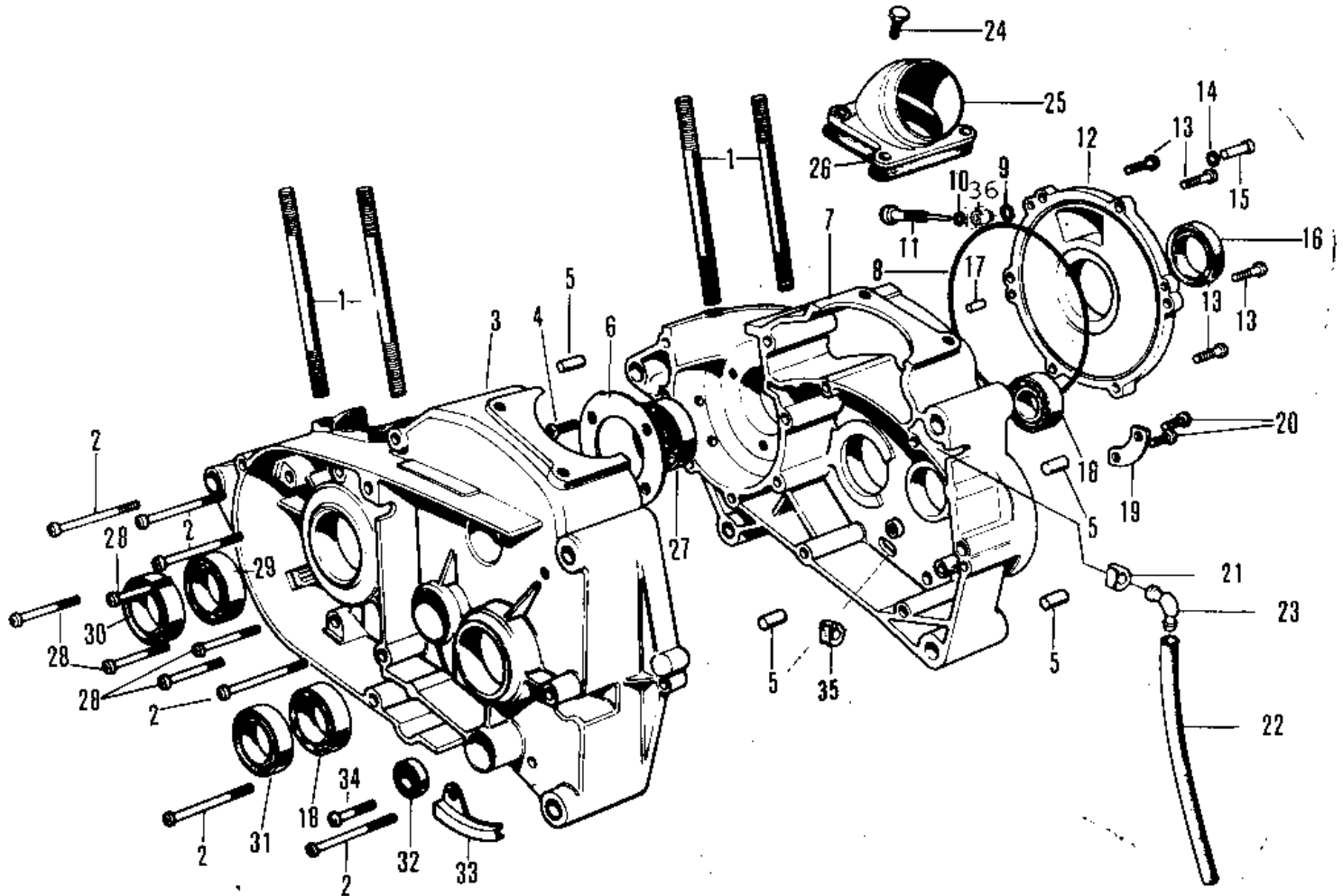


1972 PARTS DIAGRAM

CRANKCASE ('71-'72 F8/F8-A)



1972 PARTS LIST

CRANKCASE ('71-'72 F8/F8-A)

ITEM NAME	PART NUMBER	QUANTITY
STUD 10X75 (Ref # 1)	172G1075	1
SCREW PAN HEAD 6X75 (Ref # 2)	220B0675	1
CRANKCASE SET (Ref # 3)	14001-065	1
SCREW CNTSNK HD 6X16 (Ref # 4)	221B0616	1
PIN,DOWEL,10X8.2X14 (Ref # 5)	92043-1037	1
HOLDER-CRANK BEARING (Ref # 6)	14014-019	1
CRANKCASE,R.H (Ref # 7)	14003-056	1
CRANKCASE,R.H (Ref # 7)	14003-058	1
"O" RING,134.5MM (Ref # 8)	92055-039	1
"O" RING,5MM (Ref # 9)	670B1505	1
"O" RING,5MM (Ref # 10)	92055-011	1
NOZZLE OIL INJECTION (Ref # 11)	92062-004	1
COVER-ROTARY DISC VLV (Ref # 12)	14019-044	1
SCREW PAN HEAD 6X20 (Ref # 13)	220B0620	1
"O" RING,CHECK VALVE (Ref # 14)	92055-037	1
VALVE-CHECK (Ref # 15)	16128-006	1
OIL SEAL TB35488 (Ref # 16)	653B354808	1
PIN DOWEL 5X12 (Ref # 17)	610A0512	1
BEARING BALL #6205 (Ref # 18)	601B6205	1
HOLDER-MISSION BERNG (Ref # 19)	14014-020	1
SCREW PAN HEAD 6X14 (Ref # 20)	220B0614	1
GROMMET (Ref # 21)	92071-042	1
PIPE-BREATHER (Ref # 22)	92059-061	1
BREATHER ASSY (Ref # 23)	14069-1001	1
BOLT-UPSET,6X20 (Ref # 24)	112G0620	1
INLET PIPE (Ref # 25)	11015-021	1
GASKET-INLET PIPE (Ref # 26)	11017-005	1
BEARING-BALL (Ref # 27)	92045-016	1
SCREW PAN HEAD 6X50 (Ref # 28)	220B0650	1

1972 PARTS LIST

CRANKCASE ('71-'72 F8/F8-A)

ITEM NAME	PART NUMBER	QUANTITY
BEARING BALL #6305 (Ref # 29)	601B6305	1
SEAL-OIL (Ref # 30)	92049-1250	1
OIL SEAL TB3040 (Ref # 31)	92050-033	1
OIL SEAL SB12205 (Ref # 32)	92049-004	1
COVER-WIRING HARNESS (Ref # 33)	14076-001	1
SCREW PAN HEAD 6X30 (Ref # 34)	220B0630	1
GROMMET (Ref # 35)	92071-051	1
NOZZLE,OIL METERING (Ref # 36)	92062-008	1