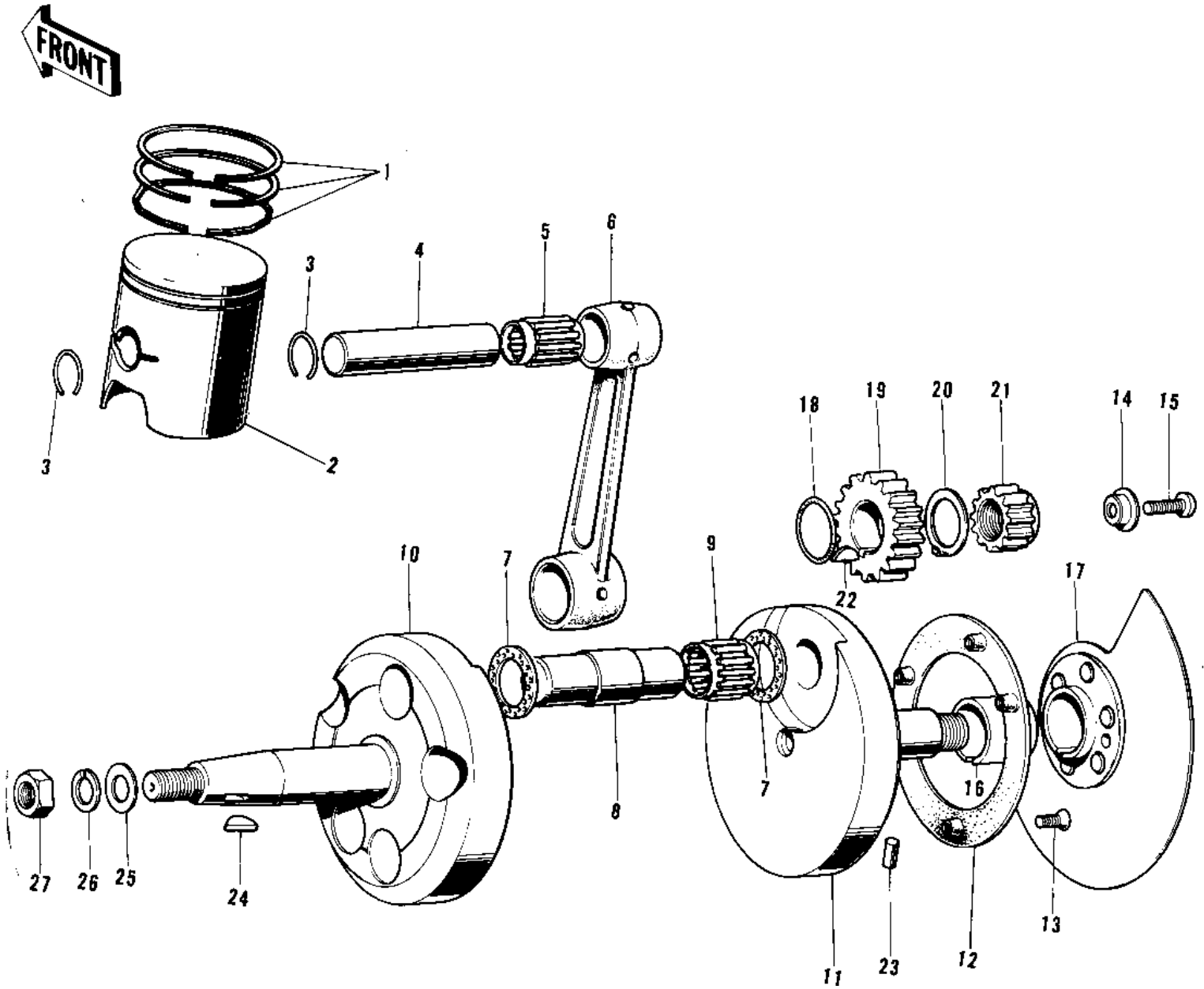


1972 PARTS DIAGRAM

CRANKSHAFT/PISTON/ROTARY VALVE (F8-A)



1972 PARTS LIST

CRANKSHAFT/PISTON/ROTARY VALVE (F8-A)

ITEM NAME	PART NUMBER	QUANTITY
RING SET,STD (Ref # 1)	13008-026	1
PISTON,STD (Ref # 2)	13001-041	1
CIRCLIP-PISTON PIN (Ref # 3)	92036-015	1
PIN-PISTON (Ref # 4)	13002-017	1
BEARING-SMALL END (Ref # 5)	13033-1010	1
CONNECTING ROD SET (Ref # 6-9)	13044-017	1
CRANK&CONROD ASSY (Ref # 6-13)	13036-036	1
WASHER-CONROD SIDE (Ref # 7)	92026-069	1
CRANK PIN (Ref # 8)	13035-026	1
NEEDLE BRG-BIG END (Ref # 9)	13034-032	1
CRANKSHAFT,L.H (Ref # 10)	13037-045	1
CRANKSHAFT,R.H (Ref # 11)	13038-045	1
HOLDER-CRANKSHAFT OIL (Ref # 12)	13045-006	1
SCREW OVL CNTSNK 5X10 (Ref # 13)	92012-002	1
SPACER-R.H CRANKSHAFT (Ref # 14)	92026-071	1
SCREW-PAN HEAD,6X20 (Ref # 15)	92011-025	1
CALLAR-CRANKSHAFT (Ref # 16)	92027-097	1
VALVE-ROTARY DISC (Ref # 17)	12001-020	1
"O" RING,22MM (Ref # 18)	670B3022	1
PINION,PRIMARY 24T (Ref # 19)	13121-028	1
WASHER-LOCK,18MM (Ref # 20)	92024-029	1
PINION-OIL PUMP (Ref # 21)	16084-011	1
WOODRUFF KEY (Ref # 22)	510A5100	1
PIN DOWEL 4X12 (Ref # 23)	610A0412	1
WOODRUFF KEY (Ref # 24)	92038-001	1
WASHER-PLAIN,14MM (Ref # 25)	92022-172	1
WASHER SPRING 14MM (Ref # 26)	461F1400	1
NUT 14MM (Ref # 27)	92015-043	1