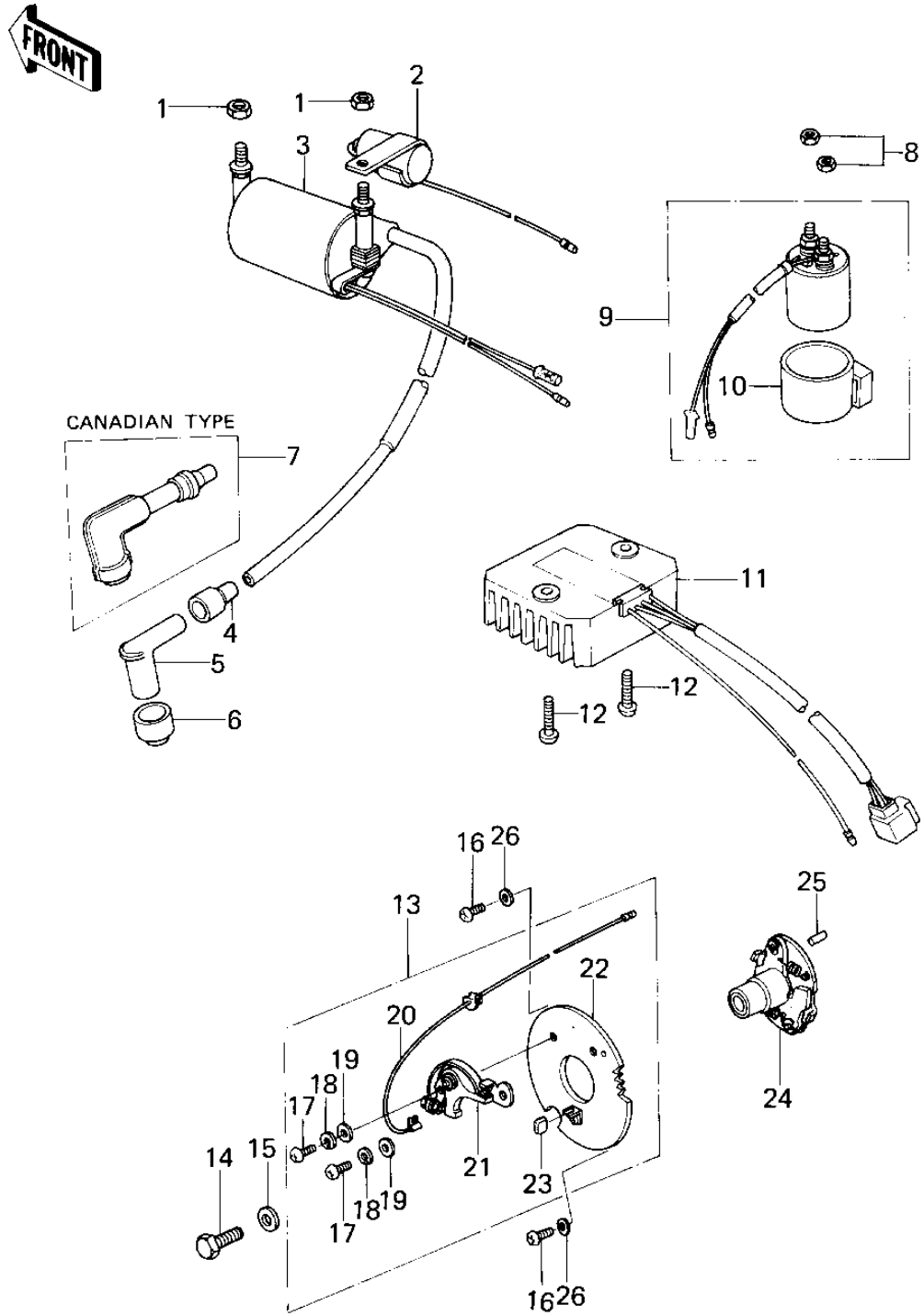


1978 KZ200 PARTS DIAGRAM

IGNITION/REGULATOR



1978 KZ200 PARTS LIST

IGNITION/REGULATOR

ITEM NAME	PART NUMBER	QUANTITY
NUT,6M/M (Ref # 1)	311G0600	2
CONDENSER (Ref # 2)	21013-036	1
COIL,IGNITION (Ref # 3)	21121-093	1
GROMMET,SPARK PLG CAP (Ref # 4)	21132-005	1
CAP-SPARK PLUG,RTFM20 (Ref # 5)	21130-1007	1
GROMMET-PLUG CAP,A (Ref # 6)	21131-004	1
CAP,SPARK PLUG (Ref # 7)	21160-005	1
SWITCH ASSY,MAGNETIC (Ref # 9)	21164-005	1
DAMPER MAG SWITCH SHK (Ref # 10)	21064-002	1
REGULATOR (Ref # 11)	21066-029	1
SCREW PAN HEAD 6X14 (Ref # 12)	220B0614	1
BREAKER ASSY, CONTACT (Ref # 13)	21135-013	1
BOLT,6X14 (Ref # 14)	92003-221	1
WASHER,PLAIN (Ref # 15)	92022-323	1
SCREW PAN HEAD 6X10 (Ref # 16)	220B0610	1
SCREW PAN HEAD 4X6 (Ref # 17)	220B0406	1
WASHER SPRING 4MM (Ref # 18)	461F0400	1
WASHER PLAIN 4MM (Ref # 19)	410B0400	1
WIRING HARNESS,CONTAC (Ref # 20)	26001-1020	1
BREAKER,CONTACT (Ref # 21)	21008-1002	1
BASE,CONTACT BREAKER (Ref # 22)	21021-1001	1
FELT OIL (Ref # 23)	21019-005	1
ADVANCER,AUTMATIC (Ref # 24)	21148-013	1
PIN DOWEL 3X8 (Ref # 25)	551A0308	1
WASHER PLAIN 6MM (Ref # 26)	410B0600	1