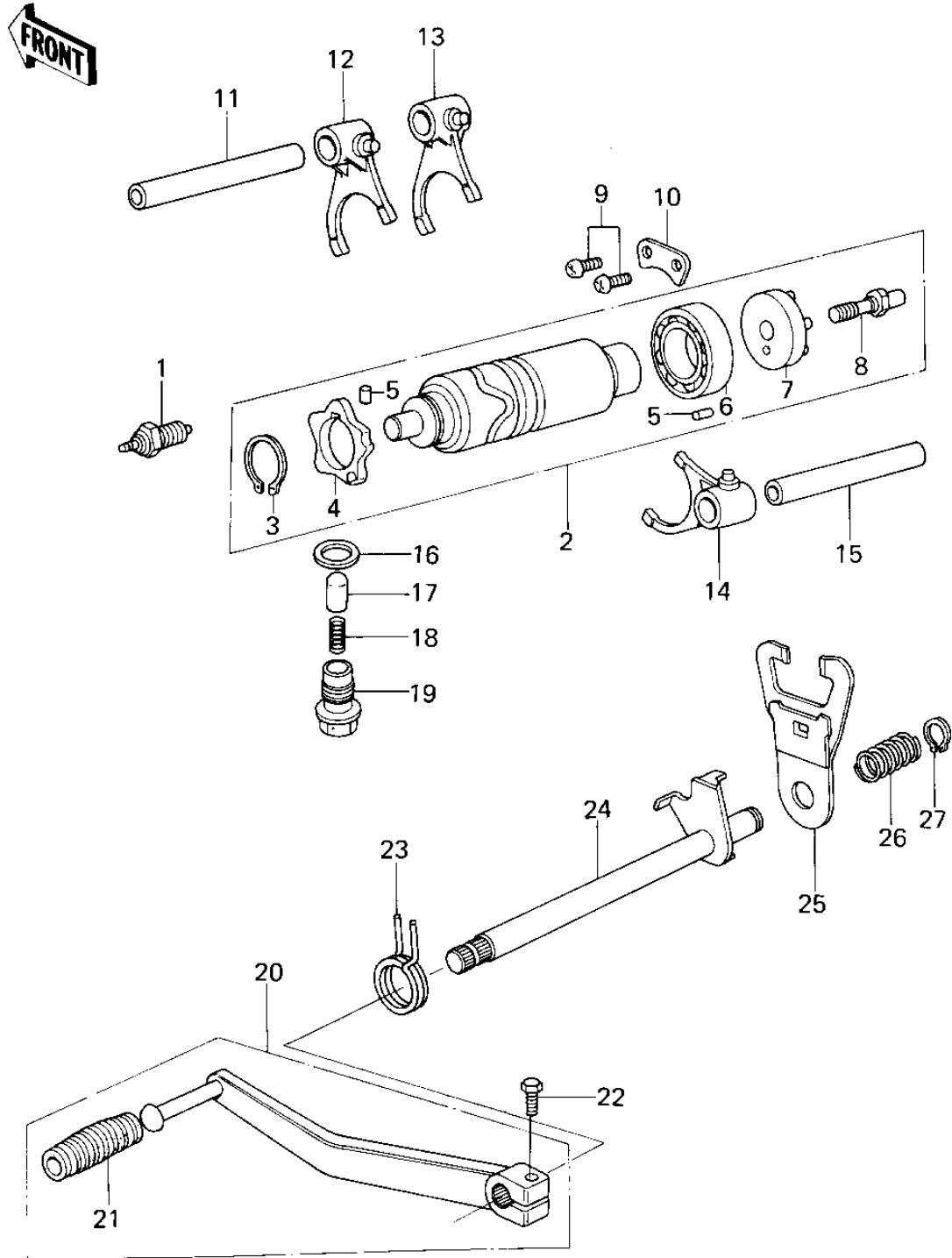


1978 KZ200 PARTS DIAGRAM

GEAR CHANGE MECHANISM



1978 KZ200 PARTS LIST

GEAR CHANGE MECHANISM

| ITEM NAME | PART NUMBER | QUANTITY |
|------------------------------------|-------------|----------|
| SWITCH,NEUTRAL (Ref # 1) | 13151-5002 | 1 |
| DRUM ASSY,GEAR SHIFT (Ref # 2) | 13239-1036 | 1 |
| CIRCLIP 24MM (Ref # 3) | 480J2400 | 1 |
| DISC,CHANGE DRUM (Ref # 4) | 13145-007 | 1 |
| PIN-DOWEL,4X6 (Ref # 5) | 610A0406 | 1 |
| BEARING,BALL,#6905 (Ref # 6) | 92045-036 | 1 |
| PLATE,GEAR CHANGE (Ref # 7) | 13142-019 | 1 |
| BOLT (Ref # 8) | 92001-166 | 1 |
| SCREW PAN HEAD 6X14 (Ref # 9) | 220B0614 | 1 |
| PLATE,GEAR CHANGE (Ref # 10) | 13169-014 | 1 |
| ROD,SHIFT 93.7M/M (Ref # 11) | 49047-1003 | 1 |
| SHIFT FORK,2ND&3RD (Ref # 12) | 13140-074 | 1 |
| SHIFT FORK,LOW (Ref # 13) | 13140-073 | 1 |
| SHIFT FORK,4TH&TOP (Ref # 14) | 13140-075 | 1 |
| ROD,SHIFT 71.7M/M (Ref # 15) | 49047-1002 | 1 |
| WASHER,PLAIN (Ref # 16) | 92022-324 | 1 |
| PIN,NEUTRAL POSITIONING (Ref # 17) | 92043-131 | 1 |
| SPRING (Ref # 18) | 92081-112 | 1 |
| BOLT,NEUTRAL POSITION (Ref # 19) | 92001-182 | 1 |
| PEDAL ASSY,GEAR CHANG (Ref # 20) | 13242-020 | 1 |
| DAMPER,CHANGE PEDAL (Ref # 21) | 92160-1036 | 1 |
| BOLT-UPSET,6X20 (Ref # 22) | 112G0620 | 1 |
| SPRING,CHG PEDL RTRN (Ref # 23) | 92083-028 | 1 |
| LEVER ASSY,GEAR SHIFT (Ref # 24) | 13161-1013 | 1 |
| LEVER ASSY,GEAR SHIFT (Ref # 25) | 13161-044 | 1 |
| SPRING,COIL (Ref # 26) | 92081-149 | 1 |
| CIRCLIP,13MM (Ref # 27) | 480J1300 | 1 |