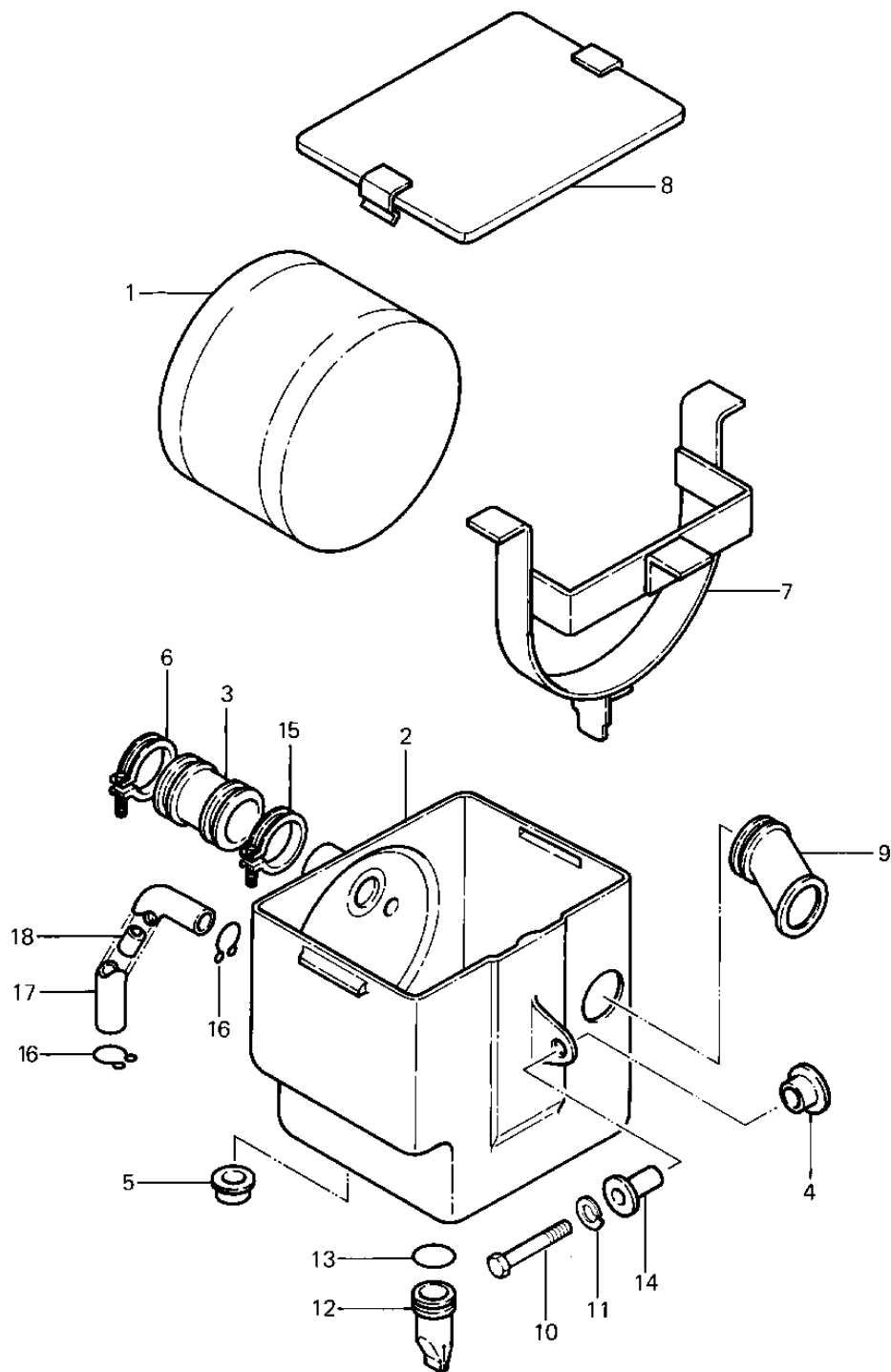


1983 LT200 PARTS DIAGRAM

AIR CLEANER ('83 KLT200-A4/A4A)



1983 LT200 PARTS LIST

AIR CLEANER ('83 KLT200-A4/A4A)

ITEM NAME	PART NUMBER	QUANTITY
AIR FILTER (Ref # 1)	11010-4003	1
CASE,AIR FILTER (Ref # 2)	11011-4003	1
DUCT,AIR INLET (Ref # 3)	14073-1067	1
DAMPER RUBBER (Ref # 4)	92075-112	1
DAMPER RUBBER,SIG LM (Ref # 5)	92075-158	1
CLAMP-INLET PIPE (Ref # 6)	92037-061	1
HOLDER-AIR FILTER (Ref # 7)	13091-4016	1
COVER (Ref # 8)	14025-4006	1
DUCT,AIR FILTER (Ref # 9)	14073-1013	1
BOLT 6X22 (Ref # 10)	112B0622	1
WASHER SPRING 6MM (Ref # 11)	461F0600	1
BOOT (Ref # 12)	49006-1012	1
"O" RING,20MM (Ref # 13)	670B2020	1
COLLAR (Ref # 14)	92027-194	1
CLAMP,MUFFLER (Ref # 15)	92037-177	1
CLAMP,BREATHER TUBE (Ref # 16)	92037-213	1
TUBE,BREATHER (Ref # 17)	92059-1154	1
BREATHER VALVE (Ref # 18)	92062-1002	1