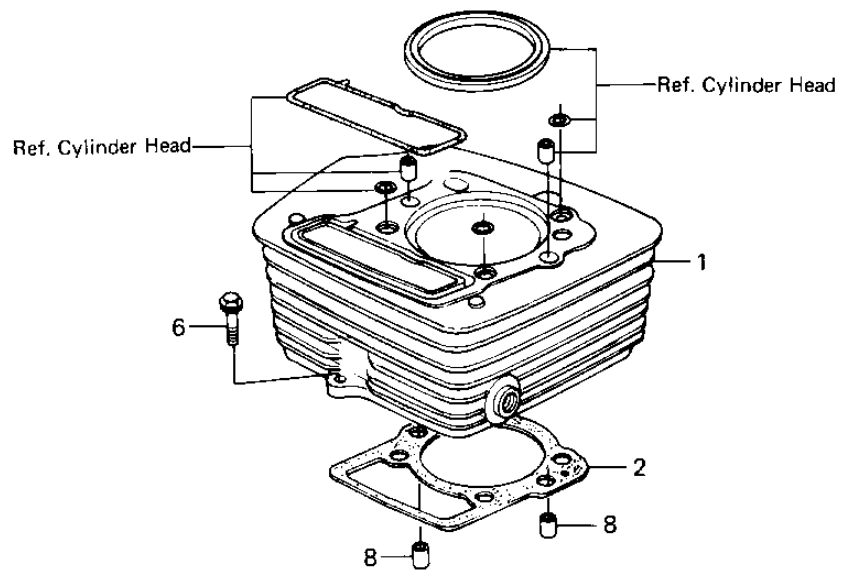
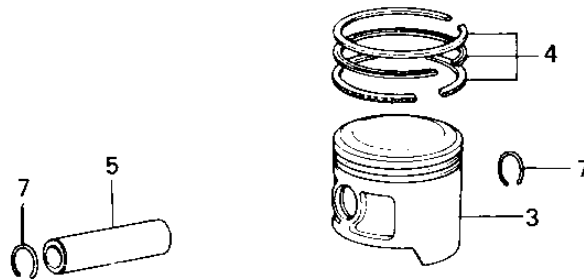


1983 LT200 PARTS DIAGRAM

CYLINDER/PISTON



E 1120-0035



1983 LT200 PARTS LIST

CYLINDER/PISTON

| ITEM NAME | PART NUMBER | QUANTITY |
|--------------------------------|-------------|----------|
| CYLINDER-ENGINE (Ref # 1) | 11006-1011 | 1 |
| GASKET,CYLINDER BASE (Ref # 2) | 11009-043 | 1 |
| PISTON,STD (Ref # 3) | 13001-083 | 1 |
| PISTON,0.020"O/S (Ref # 3) | 13029-1001 | 1 |
| PISTON,0.040"O/S (Ref # 3) | 13027-1001 | 1 |
| RING SET,STD (Ref # 4) | 13008-5005 | 1 |
| RING SET,0.020'O.S (Ref # 4) | 13025-5004 | 1 |
| RING SET,0.040'O.S (Ref # 4) | 13024-5005 | 1 |
| PIN-PISTON (Ref # 5) | 13002-026 | 1 |
| BOLT (Ref # 6) | 92003-202 | 1 |
| CIRCLIP,PISTON PIN (Ref # 7) | 92036-021 | 1 |
| PIN,DOWEL,10X8.2X14 (Ref # 8) | 92043-1037 | 1 |