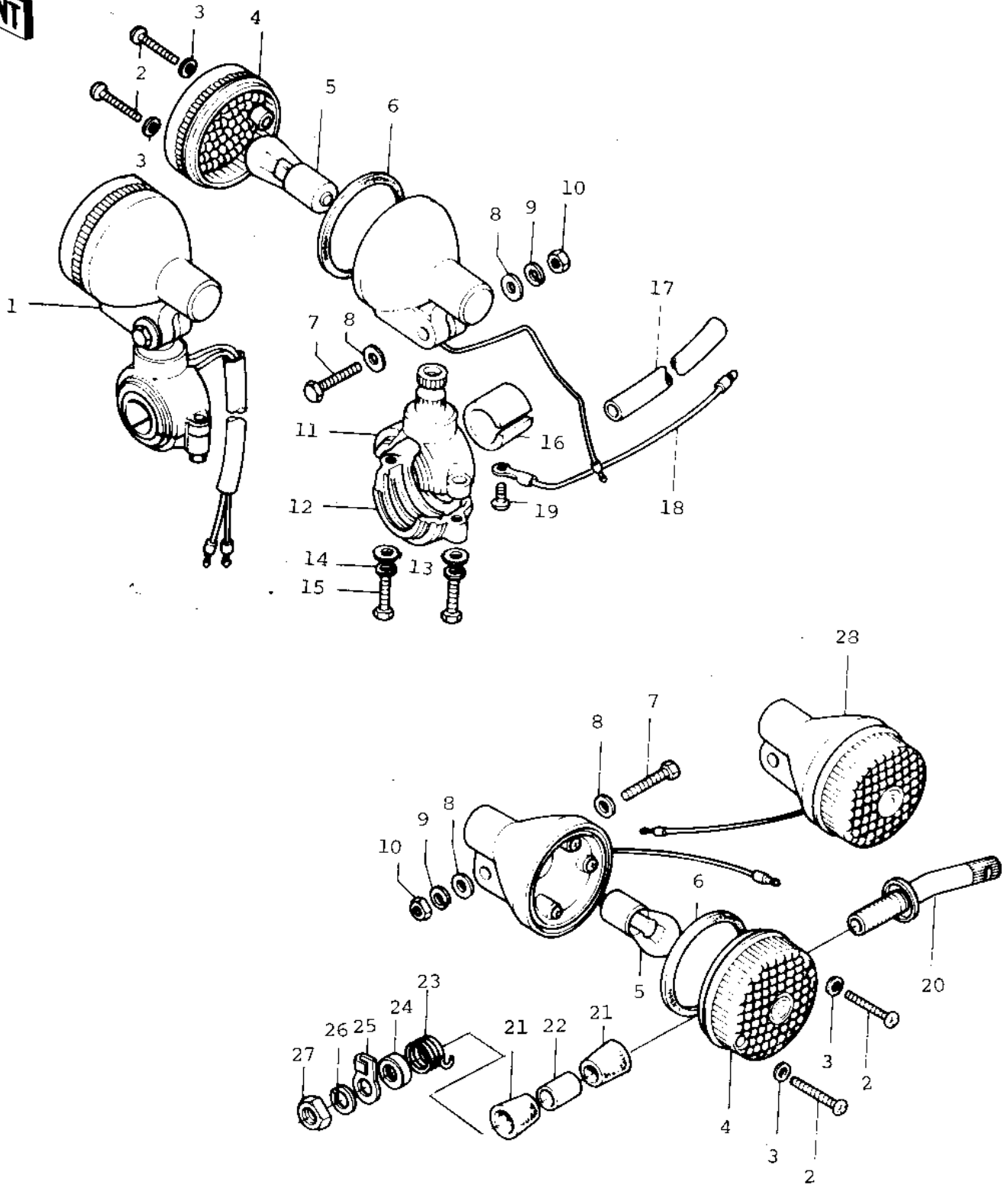


1971 PARTS DIAGRAM

TURN SIGNALS



1971 PARTS LIST

TURN SIGNALS

ITEM NAME	PART NUMBER	QUANTITY
LAMP ASY-FR TURN SIG (Ref # 1)	23037-005	1
SCREW-PAN HEAD,4X20 (Ref # 2)	220E0420A	1
WASHER-PLAIN,4MM (Ref # 3)	23058-002	1
LENS,TURN SIGNAL LAMP (Ref # 4)	23048-1001	1
BULB,6V 21CP (Ref # 5)	92069-056	1
GASKET-SIG LAMP LENS (Ref # 6)	23050-003	1
BOLT-UPSET (Ref # 7)	112G0630	1
WASHER-PLAIN,6MM (Ref # 8)	411D0600	1
WASHER SPRING 6MM (Ref # 9)	461F0600	1
NUT 6MM (Ref # 10)	311B0600	1
BRACKET,FRNT TURN SIG (Ref # 11)	23051-1004	1
BRACKET,SIGNAL LAMP (Ref # 12)	23051-1013	1
WASHER-PLAIN,5MM (Ref # 13)	410D0500	1
WASHER SPRING 5MM (Ref # 14)	461F0500	1
BOLT (Ref # 15)	110N0516	1
DAMPER RUBBER (Ref # 16)	23066-003	1
COVER-WIRING HARNESS (Ref # 17)	26009-004	1
WIRE-TURN SIGNAL LEAD (Ref # 18)	26011-061	1
SCREW PAN HEAD 3X5 (Ref # 19)	220B0305A	1
BKT-RR SIGNAL LAMP (Ref # 20)	23051-037	1
DAMPER RUBBER (Ref # 21)	92075-148	1
COLLAR 12.7X17.3X30 (Ref # 22)	92027-168	1
SPRING (Ref # 23)	92081-111	1
WASHER CUP 12.5X35X4T (Ref # 24)	92022-235	1
CLAMP-RR SIGNAL LAMP (Ref # 25)	92037-087	1
WASHER SPRING 12MM (Ref # 26)	461F1200	1
NUT-HEX-FINE,12MM (Ref # 27)	315B1200	1
LAMP-REAR TURN SIGNAL (Ref # 28)	23040-033	1