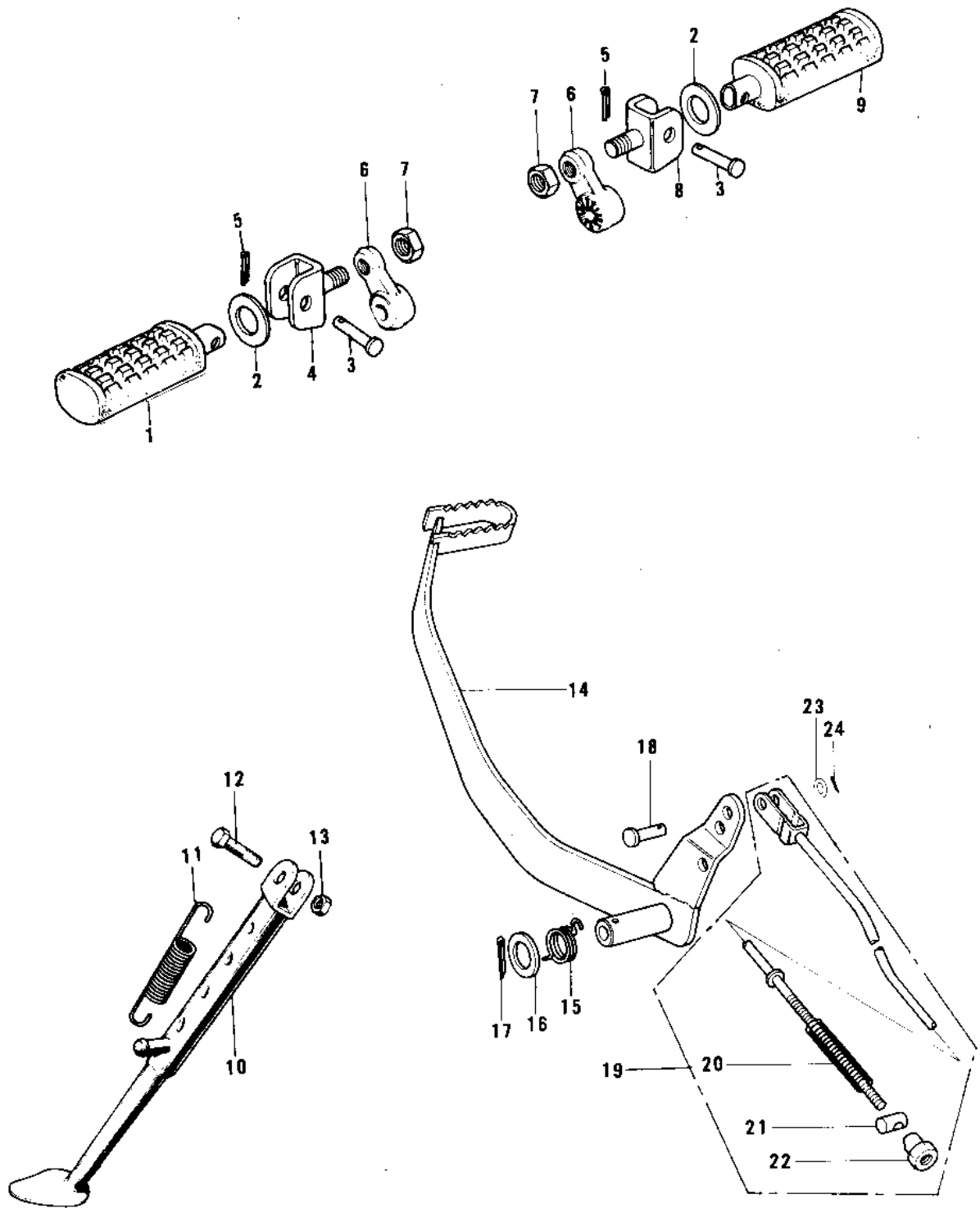


1971 PARTS DIAGRAM

FOOTRESTS/STAND/BRAKE/PEDAL



1971 PARTS LIST

FOOTRESTS/STAND/BRAKE/PEDAL

ITEM NAME	PART NUMBER	QUANTITY
STEP-ASSY,FR,LH (Ref # 1)	34027-1114	1
WASHER PL 22.5X36X2.3 (Ref # 2)	92022-204	1
PIN-FOOTREST BAR FIT (Ref # 3)	92043-080	1
HOLDER,FOTRST BAR,LH (Ref # 4)	34021-001-10	1
PIN,COTTER,2.5X15 (Ref # 5)	550D2515	1
BRACKET-FOOTREST BAR (Ref # 6)	34007-009	1
NUT-LOCK,12MM (Ref # 7)	92019-009	1
HOLDER-FOTRST BAR,RH (Ref # 8)	34021-003-10	1
STEP-ASSY,FR,RH (Ref # 9)	34027-1115	1
STAND-SIDE (Ref # 10)	34024-028	1
SPRING MAIN STAND (Ref # 11)	34023-005	1
BOLT,10X28 (Ref # 12)	113G1028	1
NUT 10MM (Ref # 13)	315B1000	1
PEDAL-BRAKE (Ref # 14)	43001-046	1
SPRING,BRAKE PEDAL (Ref # 15)	43005-033	1
WASHER BRAKE PEDAL (Ref # 16)	92022-085	1
PIN COTTER 3.0X30 (Ref # 17)	550D3030	1
PIN-BRAKE ROD FITTING (Ref # 18)	92043-064	1
ROD ASSY-BRAKE (Ref # 19)	43010-013	1
SPRING,BRAKE ROD (Ref # 20)	43012-001	1
PIN BRAKE (Ref # 21)	92043-039	1
NUT-BRAKE ROD ADJUST (Ref # 22)	92015-042	1
WASHER PLAIN 6MM (Ref # 23)	410B0600	1
PIN COTTER 2.0X15 (Ref # 24)	550D2015	1