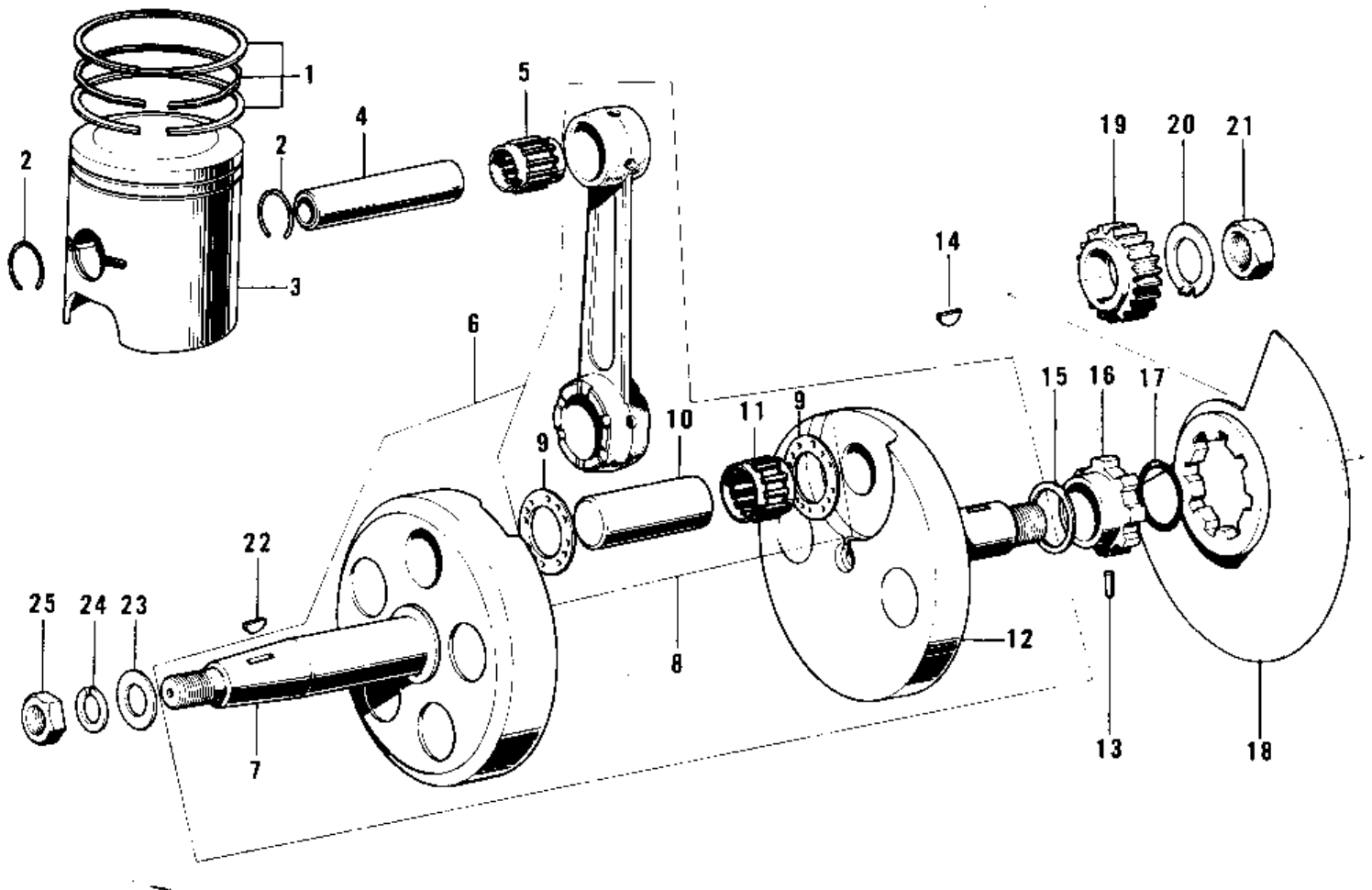


## 1971 PARTS DIAGRAM

CRANKSHAFT/PISTON/ROTARY VALVE ('74-'75)



## 1971 PARTS LIST

CRANKSHAFT/PISTON/ROTARY VALVE ('74-'75)

ITEM NAME	PART NUMBER	QUANTITY
RING SET,STD (Ref # 1)	13008-027	1
RING SET,0.020'O.S (Ref # 1)	13025-032	1
RING SET,0.040'O.S (Ref # 1)	13024-035	1
CIRCLIP PISTON PIN (Ref # 2)	92036-003	1
PISTON,STD (Ref # 3)	13001-042	1
PISTON,0.020'O.S (Ref # 3)	13029-048	1
PISTON,0.040'O.S (Ref # 3)	13027-046	1
PIN-PISTON (Ref # 4)	13002-018	1
BEARING,SMALL END (Ref # 5)	13033-034	1
CRANKSHAFT ASSY (Ref # 6)	13036-049	1
CRANKSHAFT,L.H (Ref # 7)	13037-038	1
CONNECTING ROD SET (Ref # 8)	13044-039	1
WASHER SIDE (Ref # 9)	92026-011	1
CRANK PIN (Ref # 10)	13035-022	1
BEARING,BIG END (Ref # 11)	13034-042	1
CRANKSHAFT,R.H (Ref # 12)	13038-034	1
PIN DOWEL 4X12 (Ref # 13)	610A0412	1
WOODRUFF KEY PRY PINI (Ref # 14)	92038-003	1
COLLAR-CRANKSHAFT (Ref # 15)	92027-118	1
COLLAR-R.H CRNK SHT (Ref # 16)	92027-100	1
"O" RING,22MM (Ref # 17)	92055-018	1
VALVE-ROTARY DISC (Ref # 18)	12002-022	1
PINION,PRIMARY (Ref # 19)	13121-027	1
WASHER,LOCK,18MM (Ref # 20)	92024-067	1
NUT 18MM (Ref # 21)	92015-019	1
WOODRUFF KEY (Ref # 22)	92038-001	1
WASHER-PLAIN,14MM (Ref # 23)	92022-172	1
WASHER SPRING 14MM (Ref # 24)	461F1400	1
NUT 14MM (Ref # 25)	92015-043	1