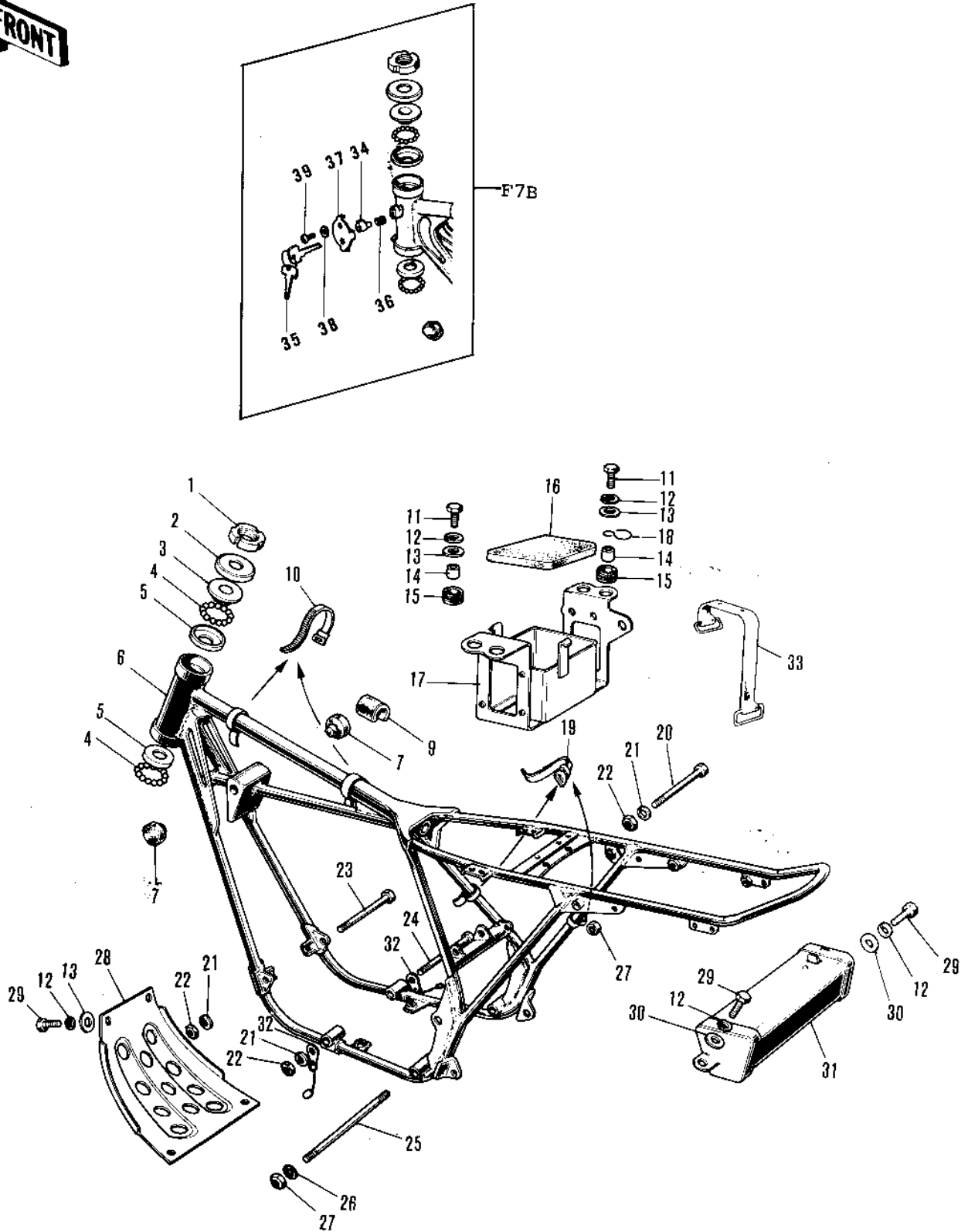


1971 PARTS DIAGRAM

FRAME/FRAME FITTINGS ('71-'73 F7/F7-A/F7)



1971 PARTS LIST

FRAME/FRAME FITTINGS ('71-'73 F7/F7-A/F7)

ITEM NAME	PART NUMBER	QUANTITY
NUT STEERING STEM LCK (Ref # 1)	92090-006	1
CAP STEERING STEM (Ref # 2)	46098-005	1
CONE UPPER BEARING (Ref # 3)	92047-005	1
BALL STEEL 3/16" (Ref # 4)	600A0600	1
RACE BEARING (Ref # 5)	92048-004	1
UNAVAILABLE IN PRICE BOOK (Ref # 6)	32002-043	1
FRAME (Ref # 6)	32002-060	1
DAMPER RUBBER FUEL TANK (Ref # 7)	92075-050	1
MAT FUEL TANK (Ref # 8)	51067-002	2
BAND, LONG (Ref # 10)	92072-032	1
BOLT-UPSET, 6X20 (Ref # 11)	112G0620	2
WASHER SPRING 6MM (Ref # 12)	461F0600	1
WASHER 6.5X20X1.6T (Ref # 13)	92022-125	1
COLLAR (Ref # 14)	92027-103	1
DAMPER RUBBER (Ref # 15)	92075-051	1
MAT-BATTERY (Ref # 16)	32103-019	1
CASE-BATTERY (Ref # 17)	32097-018	1
CLAMP CABLE (Ref # 18)	92037-026	1
BAND, MIDDLE (Ref # 19)	92072-031	1
BOLT, FLANGED, 10X115 (Ref # 20)	92001-1603	1
WASHER SPRING 10MM (Ref # 21)	461F1000	1
NUT, 10MM (Ref # 22)	314B1000	1
BOLT-HEX HEAD, 10X145 (Ref # 23)	113B10145	1
BOLT, HEX HEAD, 10X150 (Ref # 23)	92001-1251	1
BOLT-HEX HEAD, 10X225 (Ref # 24)	113B10225	2
STUD, 12X290 (Ref # 25)	92006-003	1
WASHER SPRING 12MM (Ref # 26)	461F1200	1
NUT-HEX-FINE (Ref # 27)	314B1200	1
GUARD-ENGINE (Ref # 28)	55011-012	1

1971 PARTS LIST

FRAME/FRAME FITTINGS ('71-'73 F7/F7-A/F7)

ITEM NAME	PART NUMBER	QUANTITY
BOLT-UPSET,6X12 (Ref # 29)	112G0612	1
WASHER PLAIN 6MM (Ref # 30)	410B0600	1
BOX-TOOL (Ref # 31)	32098-013	1
UNAVAILABLE IN PRICE BOOK (Ref # 32)	58041-006	1
CHAIN (Ref # 32)	58041-012	1
BAND TOOL (Ref # 33)	92072-012	1
LOCK ASSY-STEERING (Ref # 34~35)	27016-029	1
KEY SET-STRNG #270 (Ref # 35)	27018-015-70	1
KEY SET-STRNG #271 (Ref # 35)	27018-015-71	1
KEY SET-STRNG #272 (Ref # 35)	27018-015-72	1
KEY SET-STRNG #273 (Ref # 35)	27018-015-73	1
KEY SET-STRNG #274 (Ref # 35)	27018-015-74	1
SPRING-STEERING LOCK (Ref # 36)	27032-001	1
CAP,STEERING LOCK (Ref # 37)	11012-1134	1
WASHER (Ref # 38)	92097-003	1
SCREW-TAPPING (Ref # 39)	92008-007	1