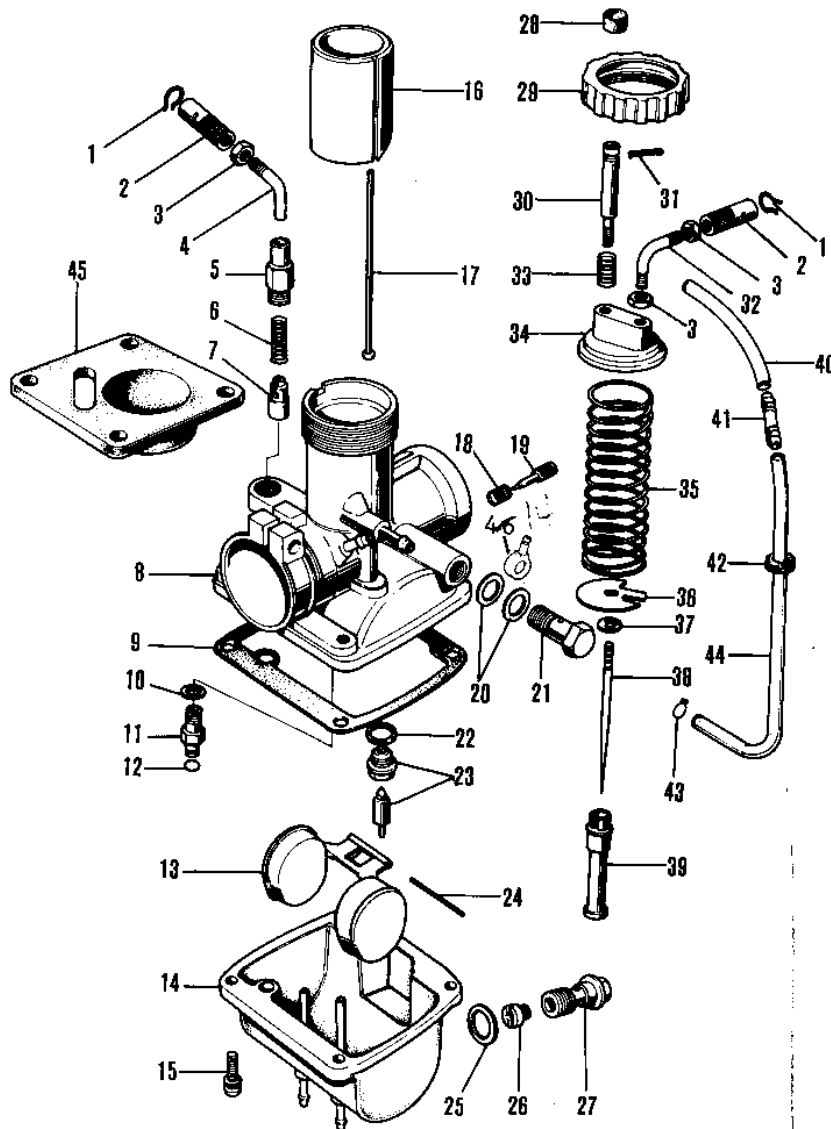


1971 PARTS DIAGRAM

CARBURETOR ('71-'73 F7/F7-A/F7-B)



1971 PARTS LIST

CARBURETOR ('71-'73 F7/F7-A/F7-B)

ITEM NAME	PART NUMBER	QUANTITY
CIRCLIP (Ref # 1)	92036-018	1
CABLE ADJUSTER (Ref # 2)	16002-007	1
CARBURETOR ASSY (Ref # 3~39)	16001-211	1
NUT CABLE ADJUST LOCK (Ref # 3)	16003-004	1
CABLE GUIDE (Ref # 4)	16077-005	1
CAP-STARTER PLUNGER (Ref # 5)	16012-014	1
SPRING-PLUNGER (Ref # 6)	16013-003	1
PLUNGER-ENRICHNER (Ref # 7)	16016-002	1
GASKET FLOAT CHAMBER (Ref # 9)	16019-013	1
WASHER MAIN JET (Ref # 10)	16034-001	1
HOLDER-NEEDLE JET (Ref # 11)	16065-008	1
"O" RING (Ref # 12)	92055-044	1
FLOAT (Ref # 13)	16031-016	1
SCREW FLOAT CHAMBER (Ref # 15)	16033-009	1
VALVE,TROTTLE (Ref # 16)	16025-069	1
ROD-THROTTLE VLV STOP (Ref # 17)	16024-009	1
SPRING-THR STOP SCREW (Ref # 18)	16022-007	1
SCREW PILOT AIR ADJST (Ref # 19)	16014-002	1
GASKET-BANJO BOLT (Ref # 20)	92065-078	1
GASKET 8MM (Ref # 20)	751P0800	1
BOLT BANJO (Ref # 21)	92001-014	1
WASHER FLOAT VLV SEAT (Ref # 22)	16029-004	1
FLOAT VALVE ASSY (Ref # 23)	16030-005	1
FLOAT VALVE ASSY,#2.6 (Ref # 23)	16030-025	1
FLOAT PIN (Ref # 24)	16032-003	1
GASKET-BANJO BOLT (Ref # 25)	16034-005	1
MAIN JET,#A105R (Ref # 26)	92063-1042	1
BOLT-BANJO (Ref # 27)	92001-097	1
CAP THROTTLE ADJUSTER (Ref # 28)	16037-002	1

1971 PARTS LIST

CARBURETOR ('71-'73 F7/F7-A/F7-B)

ITEM NAME	PART NUMBER	QUANTITY
CAP MIXING CHAMBER (Ref # 29)	16004-011	1
SCREW-THROTTLE STOP (Ref # 30)	16021-010	1
PIN COTTER 1.2X10 (Ref # 31)	550D1210	1
CABLE GUIDE (Ref # 32)	16077-001	1
SPRING-THR STOP SCREW (Ref # 33)	16022-008	1
TOP MIXING CHAMBER (Ref # 34)	16005-020	1
SPRING THROTTLE VALVE (Ref # 35)	16006-014	1
SPRING SEAT, THRTL VL (Ref # 36)	16007-024	1
CIRCLIP (Ref # 37)	16008-010	1
JET NEEDLE 4EJ3 (Ref # 38)	16009-040	1
NEEDLE JET,0-2 (Ref # 39)	16017-048	1
PIPE OIL TANK (Ref # 40)	92059-002	1
NIPPLE (Ref # 41)	92005-003	1
GROMMET PIPE (Ref # 42)	92071-038	1
CLAMP FUEL PIPE (Ref # 43)	92037-010	1
PIPE (Ref # 44)	92059-065	1
CAP-CARBURETOR (Ref # 45)	14038-027	1
CONNECTOR-BANJO (Ref # 46)	92061-019	1