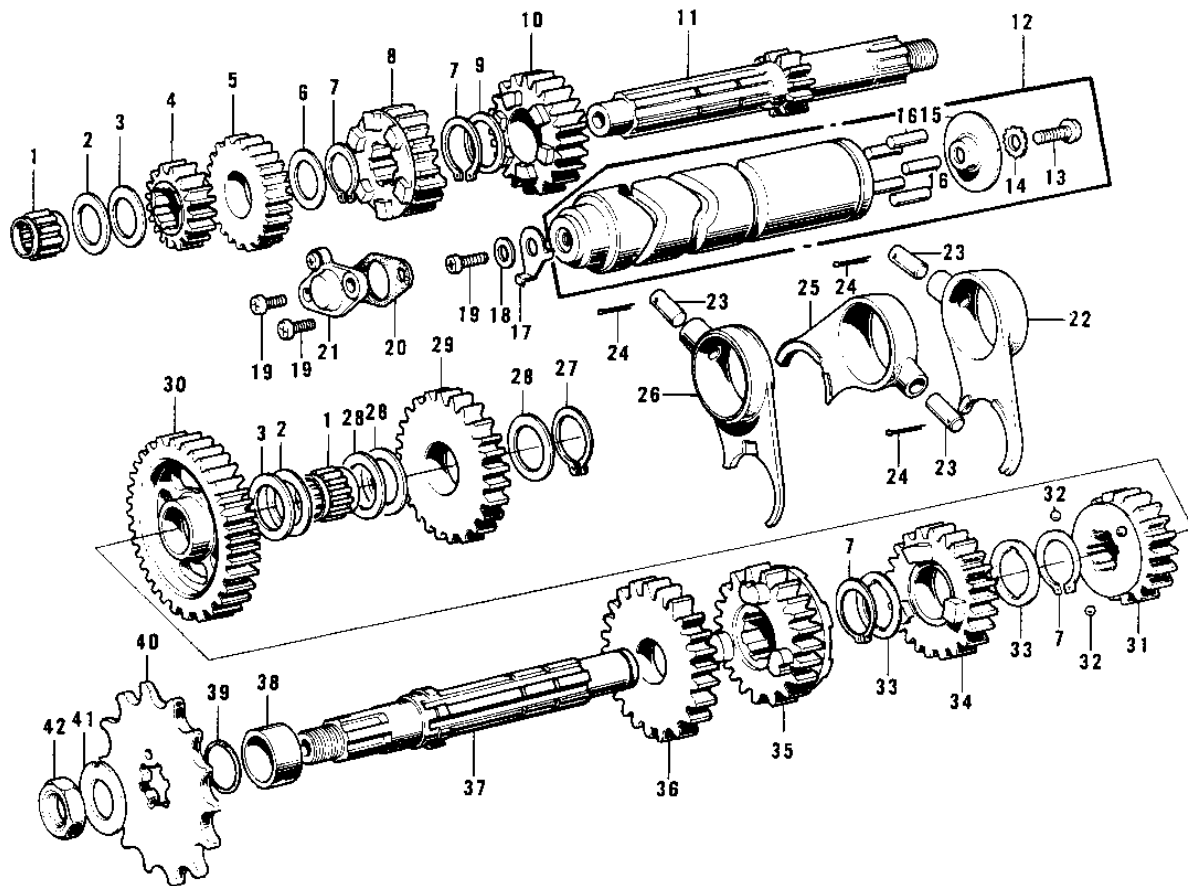


## 1971 PARTS DIAGRAM

TRANSMISSION/CHANGE DRUM



## 1971 PARTS LIST

### TRANSMISSION/CHANGE DRUM

| ITEM NAME                        | PART NUMBER | QUANTITY |
|----------------------------------|-------------|----------|
| BEARING-NEEDLE (Ref # 1)         | 92046-026   | 1        |
| WASHER-THRUST (Ref # 2)          | 92022-170   | 1        |
| WASHER-THRUST (Ref # 3)          | 92022-171   | 1        |
| 2ND GEAR-DRIVE (Ref # 4)         | 13130-024   | 1        |
| 4TH GEAR-DRIVE (Ref # 5)         | 13134-008   | 1        |
| WASHER-PLAIN (Ref # 6)           | 92022-181   | 1        |
| CIRCLIP,21MM (Ref # 7)           | 480J2100    | 1        |
| 3RD GEAR-DRIVE (Ref # 8)         | 13132-022   | 1        |
| WASHER 22MM (Ref # 9)            | 92022-106   | 1        |
| TOP GEAR-DRIVE (Ref # 10)        | 13136-031   | 1        |
| SHAFT-DRIVE (Ref # 11)           | 13127-029   | 1        |
| DRUM ASSY-GEAR CHANGE (Ref # 12) | 13239-002   | 1        |
| SCREW PAN HEAD 6X14 (Ref # 13)   | 220B0614    | 1        |
| WASHER LOCK 6MM (Ref # 14)       | 464H0600    | 1        |
| PLATE-CHANGE DRUM PIN (Ref # 15) | 13142-009   | 1        |
| PIN GEAR CHANGE DRUM (Ref # 16)  | 92042-014   | 1        |
| ROTOR,NEUTRAL INDICTR (Ref # 17) | 21007-1003  | 1        |
| WASHER PLAIN 6MM (Ref # 18)      | 410B0600    | 1        |
| SCREW PAN HEAD 6X16 (Ref # 19)   | 220B0616    | 1        |
| GASKET NEUTRAL SWITCH (Ref # 20) | 13146-002   | 1        |
| SWITCH,NEUTRAL (Ref # 21)        | 13151-1001  | 1        |
| FORK-SELECTOR,LOW (Ref # 22)     | 13140-050   | 1        |
| PIN SELECT FORK GUIDE (Ref # 23) | 92043-005   | 1        |
| PIN COTTER 3.0X20 (Ref # 24)     | 550D3020    | 1        |
| FORK-SELECTOR, TOP (Ref # 25)    | 13140-049   | 1        |
| FORK-SELECTOR (Ref # 26)         | 13140-030   | 1        |
| CIRCLIP 15MM (Ref # 27)          | 480J1500    | 1        |
| WASHER-PLAIN (Ref # 28)          | 92022-169   | 1        |
| IDLE GEAR-KICKSTARTER (Ref # 29) | 13073-009   | 1        |

## 1971 PARTS LIST

### TRANSMISSION/CHANGE DRUM

| ITEM NAME                        | PART NUMBER | QUANTITY |
|----------------------------------|-------------|----------|
| LOW GEAR,OUTPUT SHAFT (Ref # 30) | 13129-051   | 1        |
| TOP GEAR-OUTPUT (Ref # 31)       | 13137-016   | 1        |
| BALL STEEL 5/32' (Ref # 32)      | 600A0500    | 1        |
| WASHER-LOCK (Ref # 33)           | 92024-031   | 1        |
| 3RD GEAR-OUTPUT (Ref # 34)       | 13133-021   | 1        |
| 4TH GEAR-OUTPUT (Ref # 35)       | 13135-012   | 1        |
| 2ND GEAR-OUTPUT (Ref # 36)       | 13131-029   | 1        |
| SHAFT-OUTPUT (Ref # 37)          | 13128-028   | 1        |
| COLLAR-ENG SPROCKET (Ref # 38)   | 92027-180   | 1        |
| "O" RING (Ref # 39)              | 92055-022   | 1        |
| ENGINE SPROCKET SET (Ref # 40)   | 13249-002   | 1        |
| ENG SPROCKET ASY,13T (Ref # 40)  | 13249-001   | 1        |
| ENG SPROCKET,ASY,15T (Ref # 40)  | 13249-003   | 1        |
| WASHER LOCK 12MM (Ref # 41)      | 92024-002   | 1        |
| NUT,12MM (Ref # 42)              | 92016-024   | 1        |