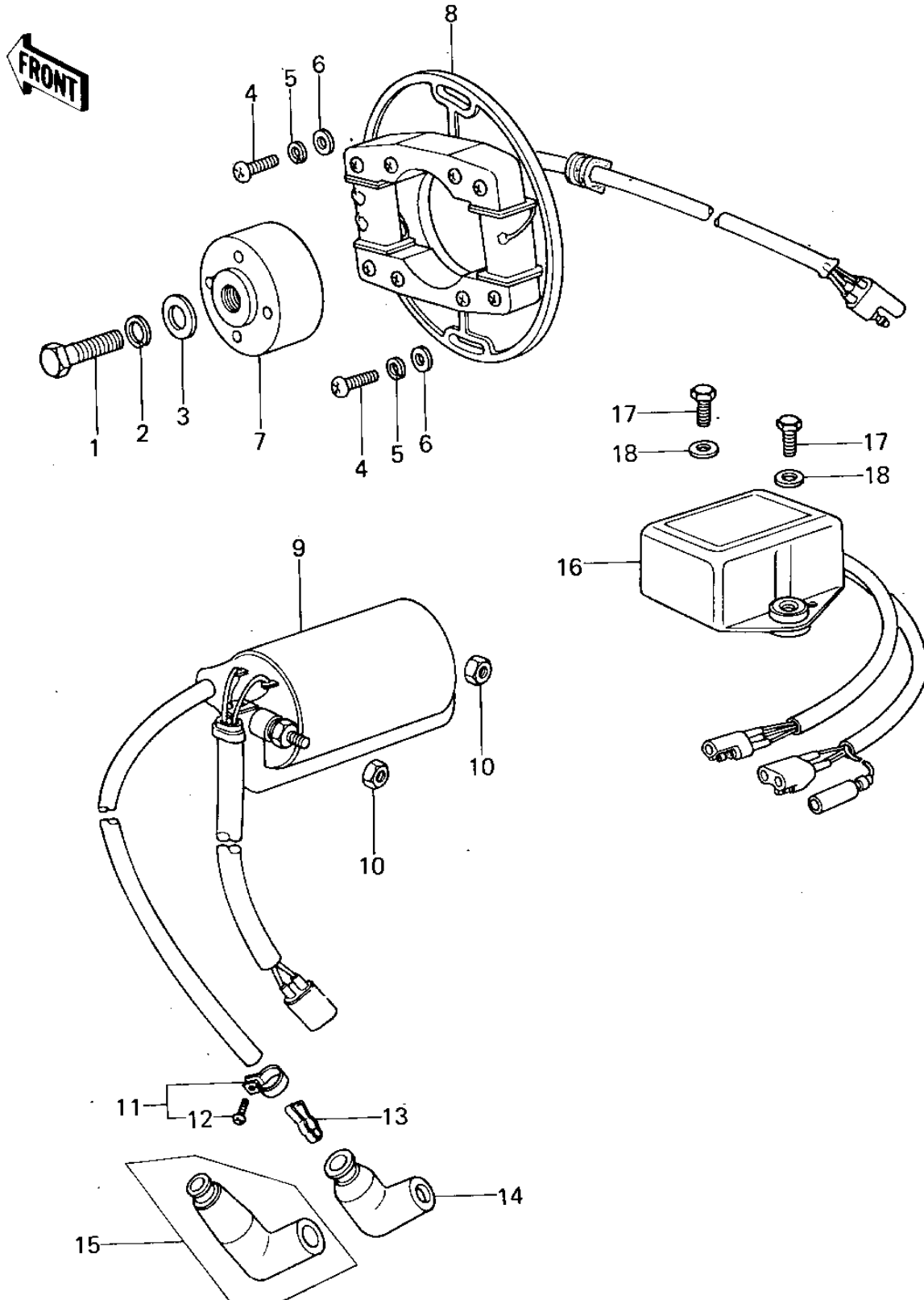


## 1978 KX™125 PARTS DIAGRAM

IGNITION ('78-'79 KX125-A4/A5)



## 1978 KX™125 PARTS LIST

IGNITION ('78-'79 KX125-A4/A5)

| ITEM NAME                       | PART NUMBER | QUANTITY |
|---------------------------------|-------------|----------|
| BOLT (Ref # 1)                  | 92001-1578  | 1        |
| WASHER SPRING 8MM (Ref # 2)     | 461F0800    | 1        |
| WASHER,PLAIN,8MM (Ref # 3)      | 92022-276   | 1        |
| SCREW PAN HEAD 6X25 (Ref # 4)   | 220B0625    | 1        |
| WASHER SPRING 6MM (Ref # 5)     | 461F0600    | 1        |
| WASHER PLAIN 6MM (Ref # 6)      | 410B0600    | 1        |
| ROTOR (Ref # 7)                 | 21007-1007  | 1        |
| ROTOR,MAGNETO (Ref # 7)         | 21007-1013  | 1        |
| STATOR ASSY,MAGNETO (Ref # 8)   | 21003-1019  | 2        |
| COIL,IGNITION (Ref # 9)         | 21121-1007  | 1        |
| NUT (Ref # 10)                  | 92019-008   | 1        |
| CLAMP,SPARK PLUG CAP (Ref # 11) | 92037-1173  | 1        |
| SCREW-PAN-CROS (Ref # 12)       | 220B0310    | 1        |
| TERMINAL,PLUG CAP (Ref # 13)    | 21169-001   | 1        |
| CAP,SPARK PLUG (Ref # 14)       | 21130-1006  | 1        |
| CAP,SPARK PLUG (Ref # 15)       | 21130-1001  | 1        |
| IGNITION UNIT (Ref # 16)        | 21119-1002  | 1        |
| IGNITION UNIT (Ref # 16)        | 21119-1010  | 1        |
| BOLT-UPSET (Ref # 17)           | 112G0618    | 1        |
| WASHER PLAIN (Ref # 18)         | 92022-024   | 1        |