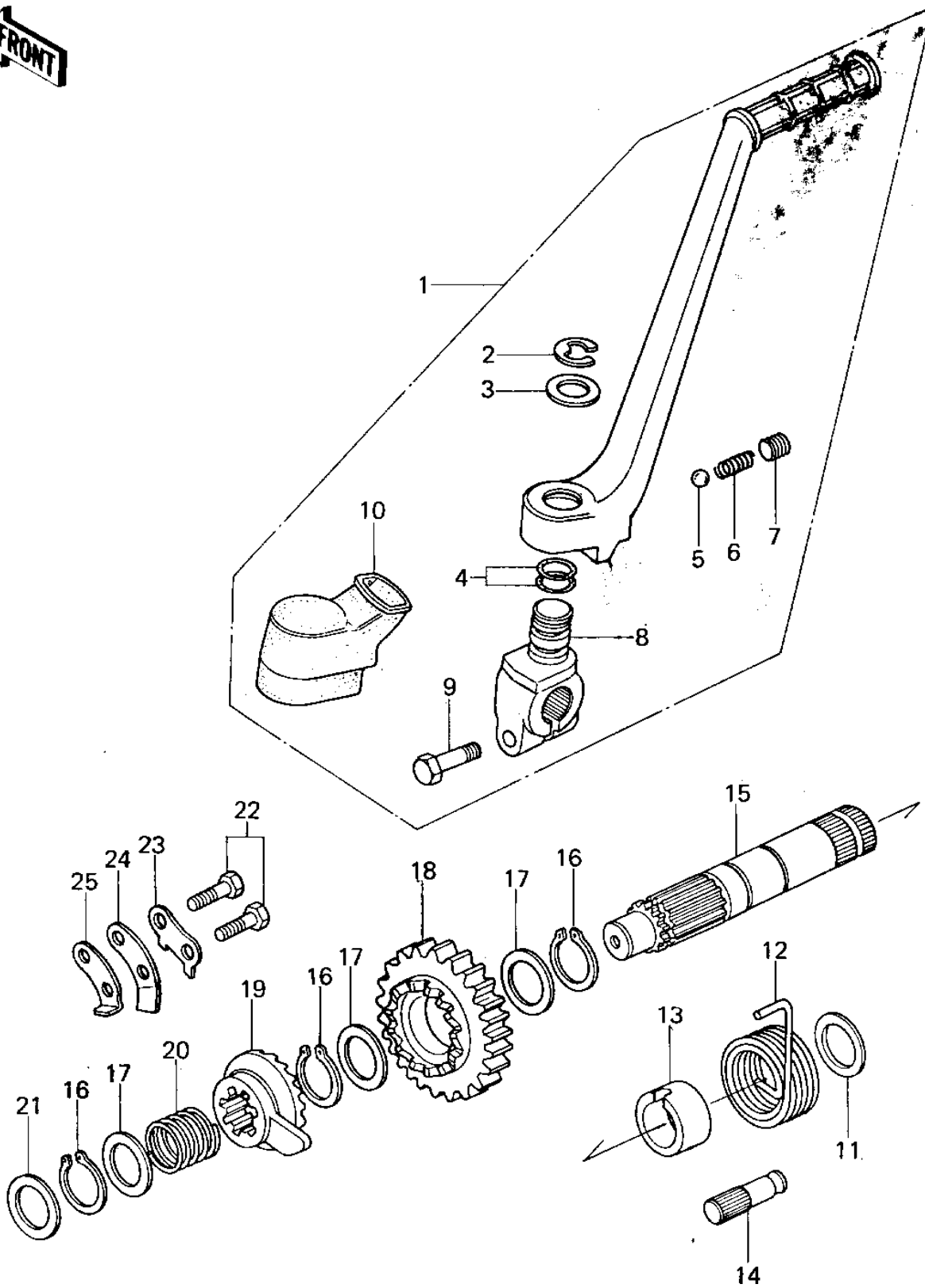


1978 KX™125 PARTS DIAGRAM

KICKSTARTER MECHANISM ('78-'79 KX125-A4/)



1978 KX™125 PARTS LIST

KICKSTARTER MECHANISM ('78-'79 KX125-A4/

ITEM NAME	PART NUMBER	QUANTITY
LEVER-ASSY-KICK PEDAL (Ref # 1)	13064-5005	1
CIR CLIP (Ref # 2)	482K0100	1
WASHER,PLAIN (Ref # 3)	92022-1019	1
"O" RING,12MM (Ref # 4)	670B2012	1
BALL STEEL 1/4' (Ref # 5)	600A0800	1
SPRING KICK PEDAL (Ref # 6)	92081-020	1
SCREW,8X8 (Ref # 7)	290Q0808	1
BOSS,KICK PEDAL (Ref # 8)	13061-5001	1
BOLT,HEX HEAD,8X28 (Ref # 9)	92001-1042	1
BOOT,KICKSTARTER (Ref # 10)	49006-1011	1
WASHER,PLAIN (Ref # 11)	92022-268	1
SPRING,KICKSTARTER (Ref # 12)	92082-005	1
GUIDE,KICKSPRING (Ref # 13)	13070-008	1
PIN (Ref # 14)	92043-102	1
SHAFT,KICKSTARTER (Ref # 15)	13066-1005	1
CIRCLIP 16MM (Ref # 16)	480J1600	1
WASHER,PLAIN (Ref # 17)	92022-315	1
GEAR,KICKSTARTER (Ref # 18)	59051-1008	1
RATCHET,KL250-D2 (Ref # 19)	13078-1052	1
SPRING,RATCHET (Ref # 20)	92081-122	1
WASHER,PLAIN (Ref # 21)	92022-269	1
BOLT-UPSET (Ref # 22)	112G0618	1
WASHER,LOCK (Ref # 23)	92022-1046	1
GUIDE-KICK (Ref # 24)	13206-1059	1
STOPPER,KICKSTARTER (Ref # 25)	32085-1016	1