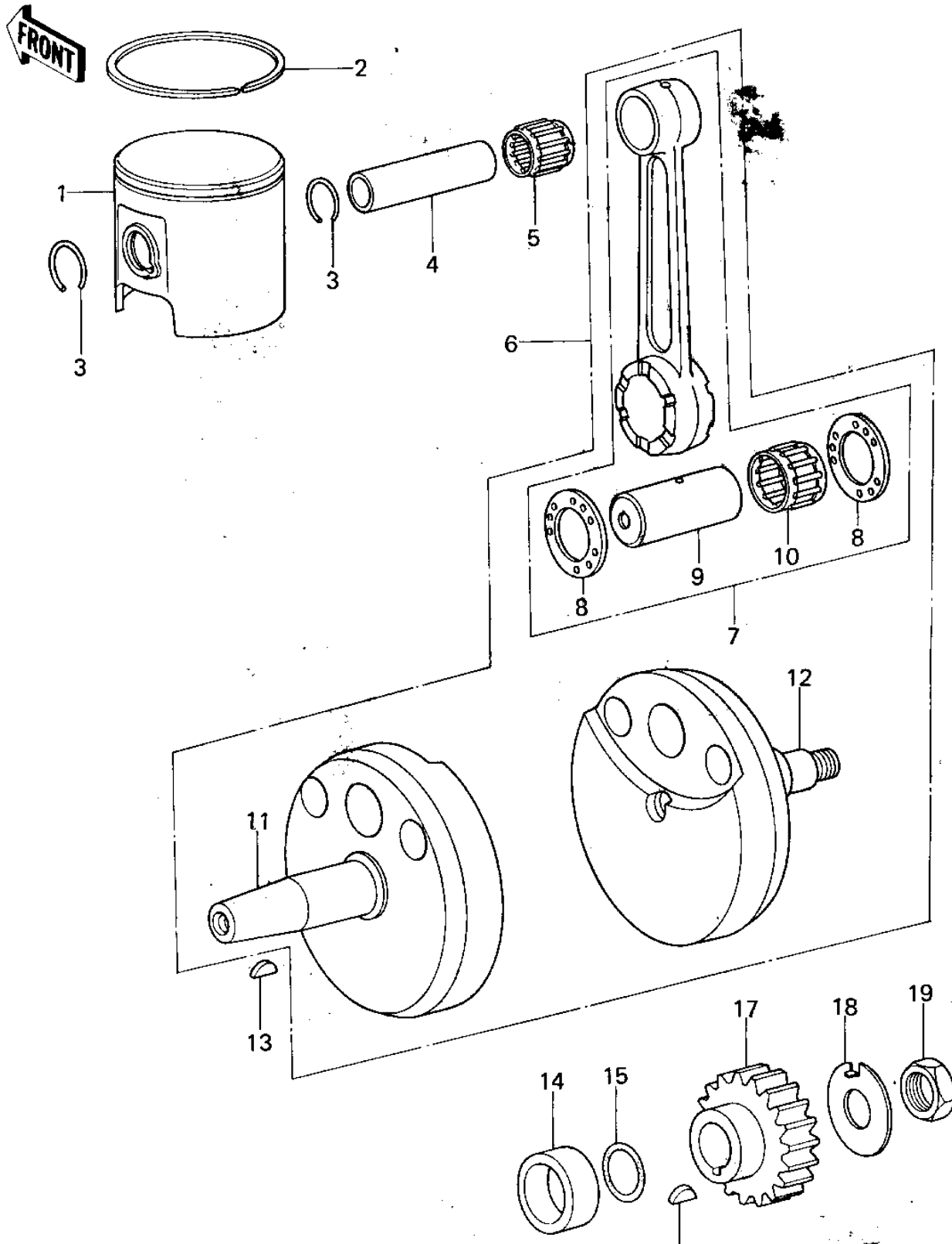


## 1978 KX™ 125 PARTS DIAGRAM

CRANKSHAFT/PISTON



## 1978 KX™125 PARTS LIST

### CRANKSHAFT/PISTON

ITEM NAME	PART NUMBER	QUANTITY
PISTON,STD (Ref # 1)	13001-1008	1
RING,PISTON STD (Ref # 2)	13003-1012	1
CIRCLIP PISTON PIN (Ref # 3)	92036-004	1
PIN-PISTON (Ref # 4)	13002-1003	1
NEEDLE BEARING,SML EN (Ref # 5)	13033-1001	1
CRANK CONROD ASSY (Ref # 6)	13031-1016	1
CRANKSHAFT ASSY (Ref # 6)	13031-1021	1
CONNECTING ROD SET (Ref # 7)	13044-5009	1
SPACER,SIDE (Ref # 8)	92026-1027	1
PIN,CRANK (Ref # 9)	13035-1001	1
NEEDLE BEARING,BIG EN (Ref # 10)	13034-1002	1
CRANKSHAFT,L.H (Ref # 11)	13037-1008	1
CRANKSHAFT,L.H (Ref # 11)	13037-1029	1
CRANKSHAFT,R.H (Ref # 12)	13037-1009	1
CRANKSHAFT,R.H (Ref # 12)	13037-1030	1
WOODRUFF KEY (Ref # 13)	92038-001	1
COLLAR (Ref # 14)	92027-1067	1
"O" RING,16MM (Ref # 15)	670B2016	1
WOODRUFF KEY PRY PINI (Ref # 16)	92038-003	1
GEAR,PRIMARY (Ref # 17)	13097-1004	1
WASHER,LOCK (Ref # 18)	92022-1063	1
NUT 12MM (Ref # 19)	92015-006	1