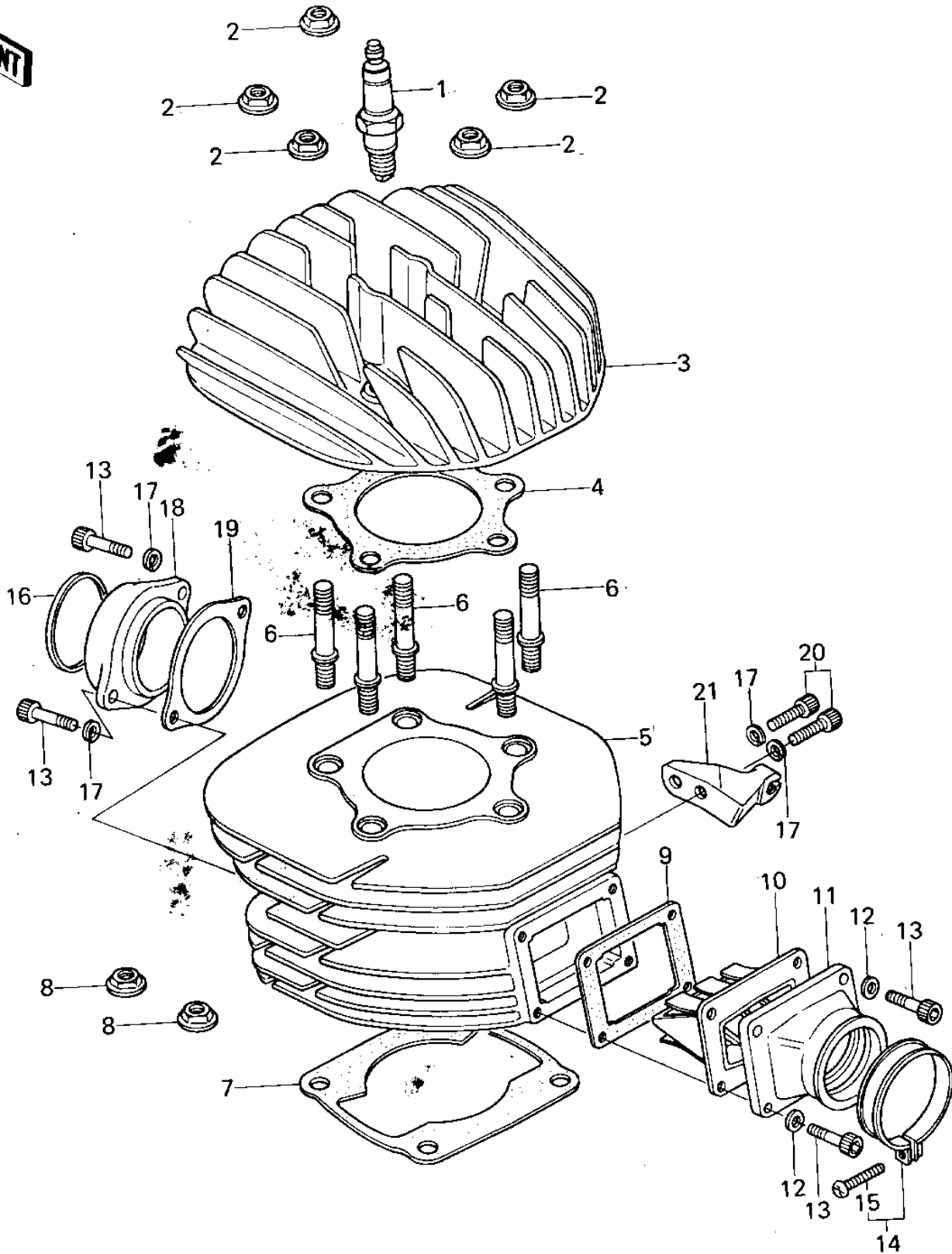


1978 KX™125 PARTS DIAGRAM

CYLINDER HEAD/CYLINDER / REED VALVE



1978 KX™125 PARTS LIST

CYLINDER HEAD/CYLINDER / REED VALVE

ITEM NAME	PART NUMBER	QUANTITY
SPARK PLUG B9EV (Ref # 1)	B9EV	1
SPARK PLUG BR9EV (Ref # 1)	92070-3002	1
NUT,8M/M (Ref # 2)	92015-1014	2
CYLINDER HEAD,F.BLACK (Ref # 3)	11001-1005-21	1
GASKET,CYLINDER HEAD (Ref # 4)	11004-1006	1
CYLINDER, FLAT BLACK (Ref # 5)	11005-1010-21	1
CYLINDER,ELECTRO-FUSE (Ref # 5)	11005-1040	1
STUD,8X35 (Ref # 6)	92004-1011	1
GASKET,CYLINDER (Ref # 7)	11009-1042	1
GASKET,REED VALVE (Ref # 9)	11009-1018	1
VALVE ASSY,REED (Ref # 10)	12021-1001	1
VALVE ASSY,REED (Ref # 10)	12021-1007	1
HOLDER,CARBURETOR (Ref # 11)	16065-1007	1
WASHER,PLAIN,6MM (Ref # 12)	410B0600	1
BOLT,SOCKET,6X25,BLAC (Ref # 13)	120S0625	1
CLAMP-INLET PIPE (Ref # 14)	92037-061	1
SCREW,PAN HEAD (Ref # 15)	92011-037	1
GASKET,EXHAUST HOLDER (Ref # 15)	11009-1124	1
WASHER SPRING 6MM (Ref # 17)	461F0600	1
HOLDER,EXHAUST PIPE (Ref # 18)	18069-1002	1
HOLDER,EXHAUST PIPE (Ref # 18)	18069-1009	1
GASKET,EXHAUST HOLDER (Ref # 19)	11009-1043	1
BOLT-SOCKET,6X20 (Ref # 20)	120S0620	1
HOLDER,CLUTCH CABLE (Ref # 21)	14044-1003	1