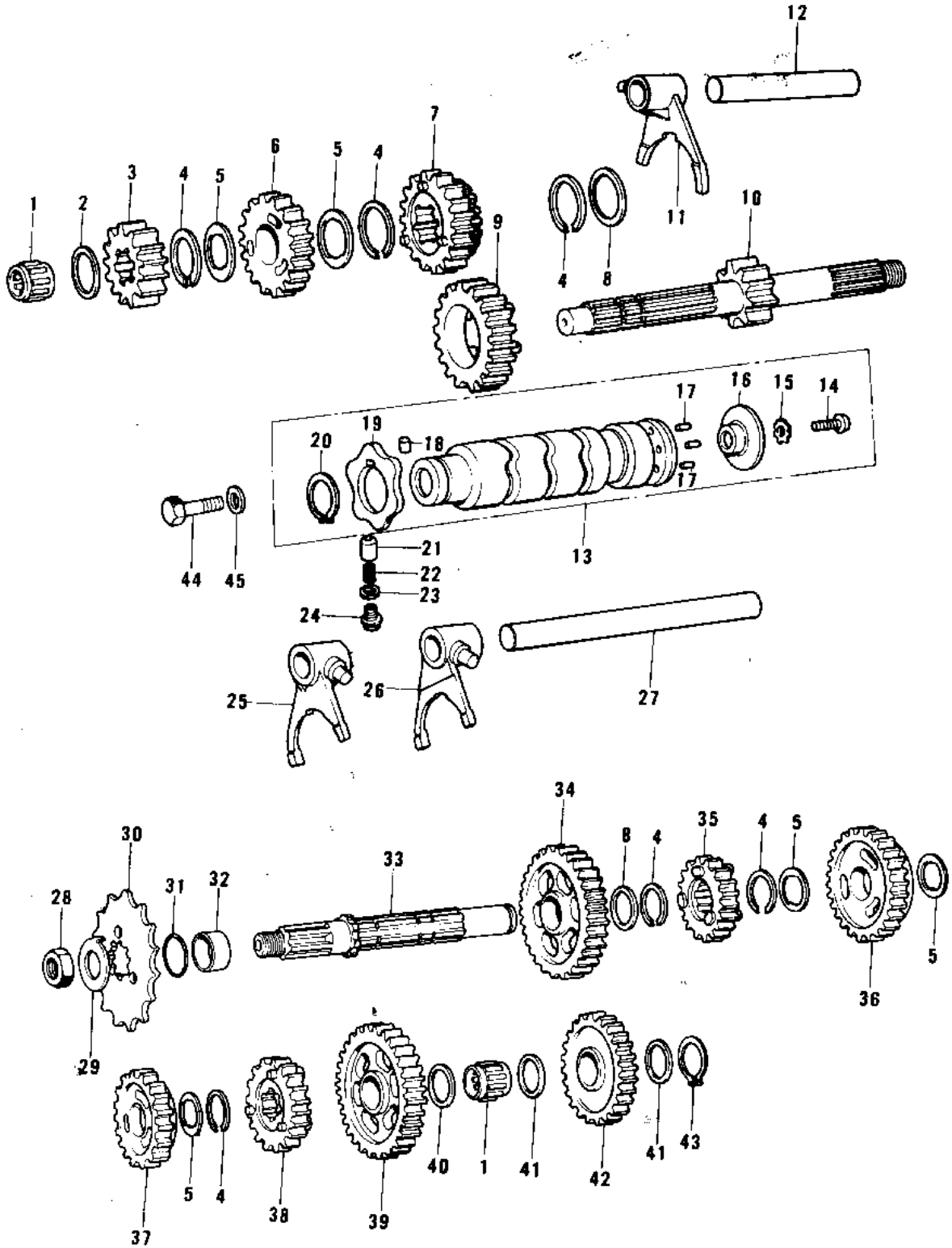


1974 KX™125 PARTS DIAGRAM

TRANSMISSION/CHANGE DRUM



1974 KX™125 PARTS LIST

TRANSMISSION/CHANGE DRUM

ITEM NAME	PART NUMBER	QUANTITY
.BRG,N,7E-HK1412 (Ref # 1)	92046-037	1
WASHER,PLAIN (Ref # 2)	92022-272	1
2ND GEAR,DRIVE SHAFT (Ref # 3)	13130-036	1
CIRCLIP (Ref # 4)	92033-028	1
WASHER,LOCK (Ref # 5)	92024-055	1
TOP GEAR,DRIVE SHAFT (Ref # 6)	13136-050	1
3RD&4TH GEAR,DRV SHFT (Ref # 7)	13132-038	1
WASHER,PLAIN (Ref # 8)	92022-271	1
5TH GEAR,DRIVE SHAFT (Ref # 9)	13247-002	1
SHAFT,DRIVE (Ref # 10)	13127-048	1
FORK,SELECTOR,5TH&TOP (Ref # 11)	13140-060	1
RODSHIFT,SHORT (Ref # 12)	13209-014	1
DRUM ASSY,GEAR SHIFT (Ref # 13)	13239-018	1
SCREW PAN HEAD 6X14 (Ref # 14)	220B0614	1
WASHER LOCK 6MM (Ref # 15)	464H0600	1
PLTE,SHIFT DRUM PIN (Ref # 16)	13142-017	1
PIN,GEAR CHNGE DRUM (Ref # 17)	92042-030	1
PIN-DOWEL,4X6 (Ref # 18)	610A0406	1
CAM-CHANGE DRUM (Ref # 19)	13145-1058	1
CIRCLIP,30MM (Ref # 20)	480J3000	1
PIN-NEUTRAL POSITION (Ref # 21)	92043-076	1
SPRING (Ref # 22)	92081-112	2
GASKET (Ref # 23)	92065-090	1
BOLT,10MM (Ref # 24)	92001-131	1
FORK,SELECTOR,2ND&3RD (Ref # 25)	13140-059	1
FORK,SELECTOR,LOW&4TH (Ref # 26)	13140-058	1
ROD-SHIFT,10X102 (Ref # 27)	49047-1060	1
NUT 14MM (Ref # 28)	315B1400	1
WASHER, (Ref # 29)	92024-052	1

1974 KX™125 PARTS LIST

TRANSMISSION/CHANGE DRUM

ITEM NAME	PART NUMBER	QUANTITY
ENGINE SPROCKET,13T (Ref # 30)	13144-053	1
SPROCKET-OUTPUT,14T (Ref # 30)	13144-1058	1
ENGINE SPROCKET,12T (Ref # 30)	13144-058	1
"O" RING (Ref # 31)	92055-022	1
COLLAR,ENG SPROCKET (Ref # 32)	92027-1077	1
SHAFT,OUTPUT (Ref # 33)	13128-040	1
2ND GEAR,OUTPUT SHAFT (Ref # 34)	13131-043	1
TOP GEAR,OUTPUT SHAFT (Ref # 35)	13137-032	1
3RD GEAR,OUTPUT SHAFT (Ref # 36)	13133-038	1
4TH GEAR,OUTPUT SHAFT (Ref # 37)	13135-027	1
5TH GEAR,OUTPUT SHAFT (Ref # 38)	13248-002	1
LOW GEAR,OUTPUT SHAFT (Ref # 39)	13129-054	1
WASHER,PLAIN (Ref # 40)	92022-273	1
WASHER,PLAIN (Ref # 41)	92022-267	1
IDLE GEAR,KICKSTARTER (Ref # 42)	13073-011	1
CIRCLIP,13MM (Ref # 43)	480J1300	1
BOLT,HEX HEAD,10X14 (Ref # 44)	113G1014	1
GASKET CHECK VALVE (Ref # 45)	92065-058	1