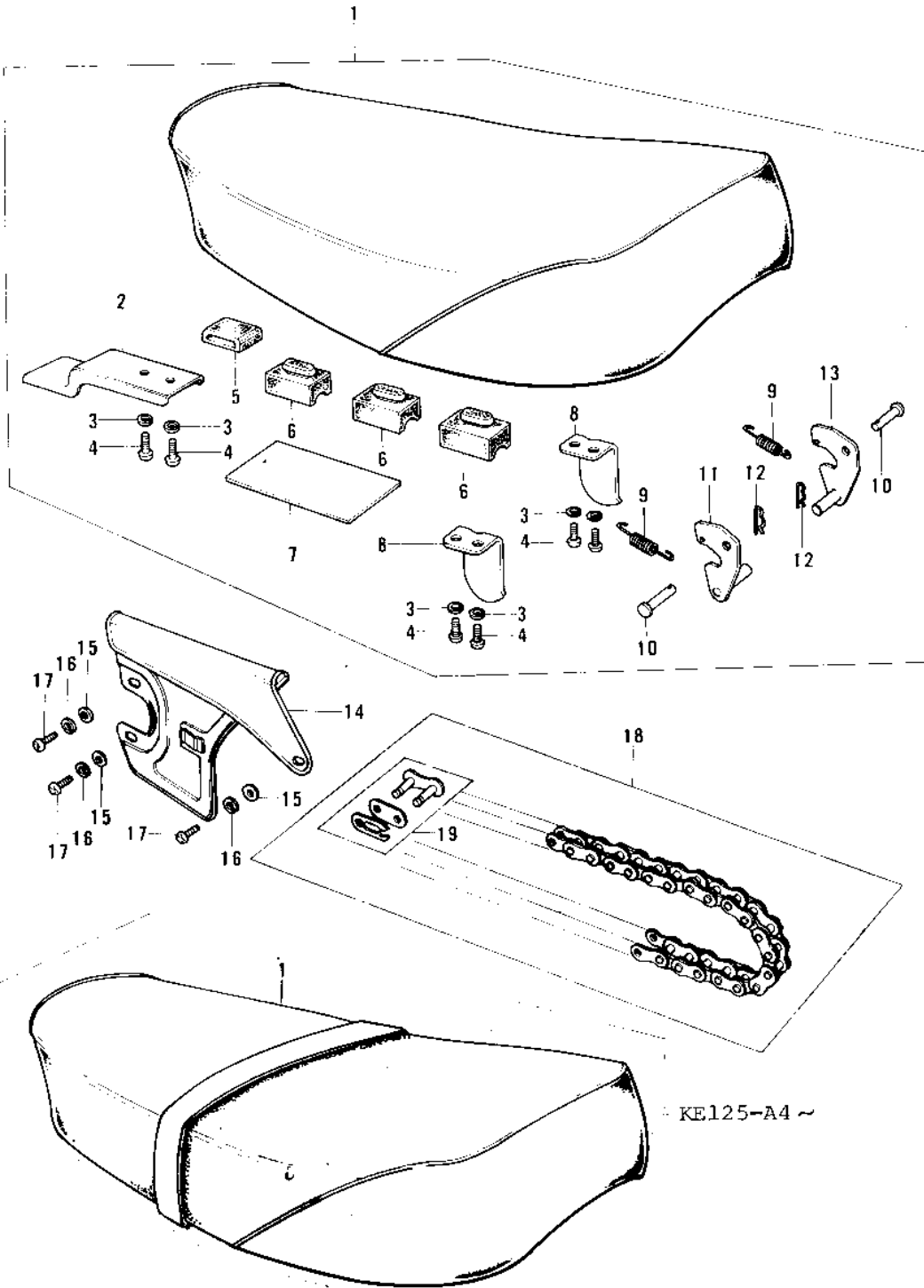


## 1976 KE125 PARTS DIAGRAM

SEAT/CHAIN COVER/CHAIN ('76-'79)



Ref.



## 1976 KE125 PARTS LIST

SEAT/CHAIN COVER/CHAIN ('76-'79)

| ITEM NAME                       | PART NUMBER  | QUANTITY |
|---------------------------------|--------------|----------|
| SEAT ASSY,DUAL (Ref # 1)        | 53002-068    | 1        |
| SEAT-ASSY,DUAL (Ref # 1)        | 53001-1033   | 2        |
| BRACKET,DUAL SEAT (Ref # 2)     | 53032-005    | 1        |
| WASHER SPRING 6MM (Ref # 3)     | 461F0600     | 2        |
| SCREW PAN HEAD 6X14 (Ref # 4)   | 220B0614     | 2        |
| DAMPER RUBBER,SEAT (Ref # 5)    | 92075-219    | 1        |
| DAMPER RUBBER,SEAT (Ref # 6)    | 92075-216    | 1        |
| DAMPER RUBBER,BATTERY (Ref # 7) | 92075-224    | 1        |
| STOPPER,SEAT (Ref # 8)          | 53059-001    | 1        |
| SPRING,HOOK (Ref # 9)           | 53012-013    | 1        |
| PIN DUAL SEAT PIVOT (Ref # 10)  | 53011-001    | 1        |
| HOOK,SEAT,L.H (Ref # 11)        | 53008-028    | 1        |
| COTTER PIN (Ref # 12)           | 92041-003    | 1        |
| HOOK,SEAT,R.H (Ref # 13)        | 53008-029    | 1        |
| CASE-CHAIN,FR BLACK (Ref # 14)  | 36014-051-21 | 1        |
| WASHER PLAIN (Ref # 15)         | 92022-024    | 1        |
| DR CHAIN 428X118H (Ref # 18)    | 92057-030    | 1        |
| JOINT-CHAIN (Ref # 19)          | 92058-1015   | 1        |